

Hustler® Parts Manual



HUSTLER®
TURF EQUIPMENT

200 South Ridge Road

Hesston, Kansas

67062



NOTICE OF REQUIREMENT OF SPARK ARRESTER MUFFLER

This equipment may create sparks that can start fires around dry vegetation. California Public Resources Code Section 4442.6 provides that it is unlawful to use or operate an internal combustion engine on any forest-covered, brush-covered, or grass-covered land unless the engine is equipped with a spark arrester maintained in effective working order. A spark arrester is a device constructed of nonflammable materials specifically for the purpose of removing and retaining carbon and other flammable particles over 0.0232 of an inch in size from the exhaust flow of an internal combustion engine that uses hydrocarbon fuels or which is qualified and rated by the United States Forest Service. Other states or federal areas may have similar laws. The Operator Should Contact Local Fire Agencies For Laws or Regulations Relating to Fire Prevention Requirements. **THIS EQUIPMENT DOES NOT HAVE A SPARK ARRESTER AND YOU SHOULD CONTACT YOUR AUTHORIZED DEALER FOR THE PURCHASE OF A SPARK ARRESTER.**

Inspect spark arrester daily; replace every 500 hours or as needed.

The Engine Owner's Manual provides information regarding the U.S. Environmental Protection Agency (EPA) and the California Emission Control Regulation of emission systems, maintenance and warranty.

Keep Engine Owner's Manual with your unit. Should the Engine Owner's Manual become damaged or illegible, replace immediately. Replacements may be ordered per the information found in the Product Information section of the owner's manual.

Federal law and California State law prohibit the following acts or the causing thereof:

1. The removal or rendering inoperative by any person other than for purposes of maintenance, repair, replacement, of any device or element of design incorporated into any equipment for the purposes of emissions control prior to or after its sales or delivery to the ultimate purchaser or while it is in use, or
2. The use of the equipment after such device or element of design has been removed or rendered inoperative by any person.

General Information	1
Frame, Muffler Guard & Engine Guard	
Frame	3-1
Muffler Guard & Engine Guard	3-2
Hydraulic System, Drive Belt, Clutch, Steering & Brake	
Hydraulic System Assembly	4-1
Hydraulic Filter & Reservoir Breakdown	4-2
Wheel Motor Assembly Breakdown	4-3
LS Pump Assembly	4-4
RS Pump Assembly	4-5
Oil Cooler Mount	4-6
Pump Drive & Clutch	4-7
Steering	4-8
Steering Sub-Assembly (Multi-Page)	4-9
Steering Box Breakdown	4-10
Brake	4-11
Wheels & Tires	
Wheels & Tires	5-1
Front Wheel Assembly Breakdown	5-2
Drive Wheel Breakdown	5-3
Engine, Muffler & Fuel System	
Engine & Muffler (Multi-Page)	6-1
Engine Service Parts	6-2
Fuel System	6-3
Instrument Panel, Wire Harness & Battery	
Instrument Panel & Wire Harness	7-1
Battery	7-2
Deck, Deck Belt, Blades & Deck Lift	
Service Deck	8-1
Deck Pulleys & Spindles	8-2
Spindle Assembly Service Parts - 607407 & 607408	8-3
Deck Belt, Discharge Chute, Pulleys Covers & Blades	8-4
Deck Lift & Deck Height (Multi-Page)	8-5
Seat & ROPS	
Seat	9-1
Seat Service Parts - 607150	9-2
ROPS	9-3

General Information

Note: When ordering parts, you must use the part number as shown for each part, not the index number. Always give the model and serial number to your parts and service representative.

Note: Items sold in bulk such as seals and hoses are sold by the foot.

Using This Manual

This manual is part of a service package for the Hustler® mowers. Use of this manual in conjunction with other Hustler® mower and component manuals will provide the information necessary to service and maintain Hustler® mowers.

This Parts Manual provides a complete parts listing for the unit. Use this manual when ordering parts. Illustrations used were current at the time of printing, but subsequent production changes may cause your machine to vary slightly in detail. Excel Industries, Inc. reserves the right to redesign and change the machine as deemed necessary, without notification. If a change has been made to your machine which is not reflected in this parts manual, see your authorized dealer for current information and parts.

The Service Manual is a service guide for use by Service Technicians. It provides the necessary information needed to perform normal maintenance requirements on these units.

The Operator's Manual provides fundamental operational information and operational safety that is needed when operating the mower.

The component manuals are furnished by the various manufacturers to be used for the troubleshooting and servicing of their products.

Hardware Description Codes & Abbreviations

The following codes are used throughout this parts manual. Refer to this list when ordering parts.

ABBREVIATION	DESCRIPTION	ABBREVIATION	DESCRIPTION
CB	CARRIAGE BOLT	MB	MACHINE BUSHING
CE	CLEVIS PIN	MS	MACHINE SCREW
CN	CLIP NUT	NT	NUT
CP	COTTER PIN	SC	SELF TAPPING CAP SCREW
CS	CAP SCREW	SH	SOCKET HEAD
CW	CUP WASHER	SB	SHOULDER BOLT
FDRW	FENDER WASHER	SS	SET SCREW
FW	FLAT WASHER	OD	OUTSIDE DIAMETER
HX	HEX HEAD	ID	INSIDE DIAMETER
LW	LOCK WASHER	WN	WELD NUT

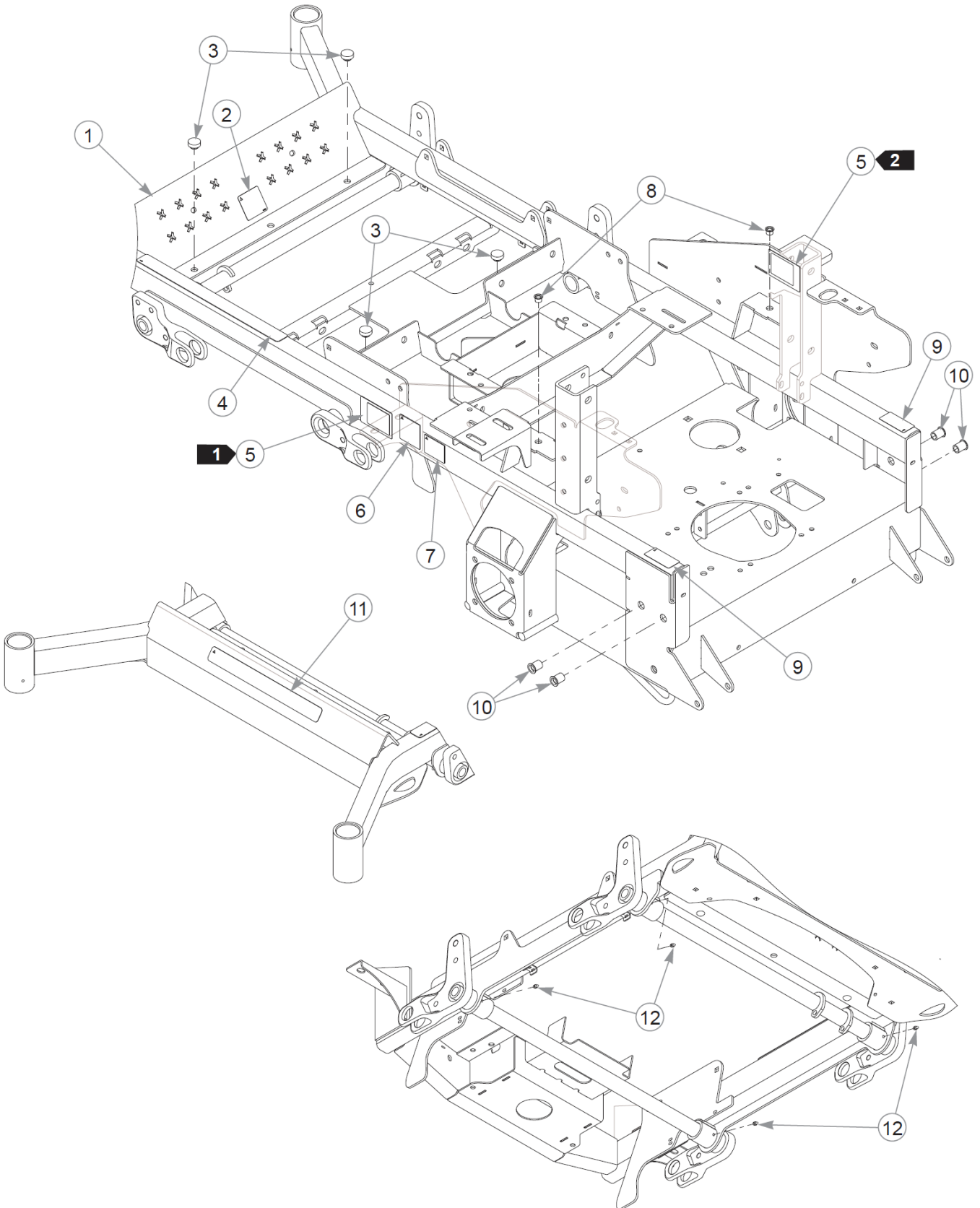
Standard Torques

The following chart lists the standard torque values for the threaded fasteners found in this manual. Torque all cap screws, nuts and set screws to these values unless a different torque is shown in the Notes section next to the fastener.

SIZE	FT-LBS	N•M	SIZE	FT-LBS	N•M
.250	8.2	11.1	M3	1	1.3
.312	17	23	M4	2.2	3
.375	30	40	M5	4.5	6.1
.438	48	65	M6	7.7	10.4
.500	73	99	M8	18.5	25
.562	105	143	M10	37	50
.625	145	200	M12	64	87
.750	260	350	M14	80	108.5
.875	420	565	M16	160	215
1.00	625	850	M20	320	435
			M24	555	750

Pagina lasciata volutamente in bianco

Frame

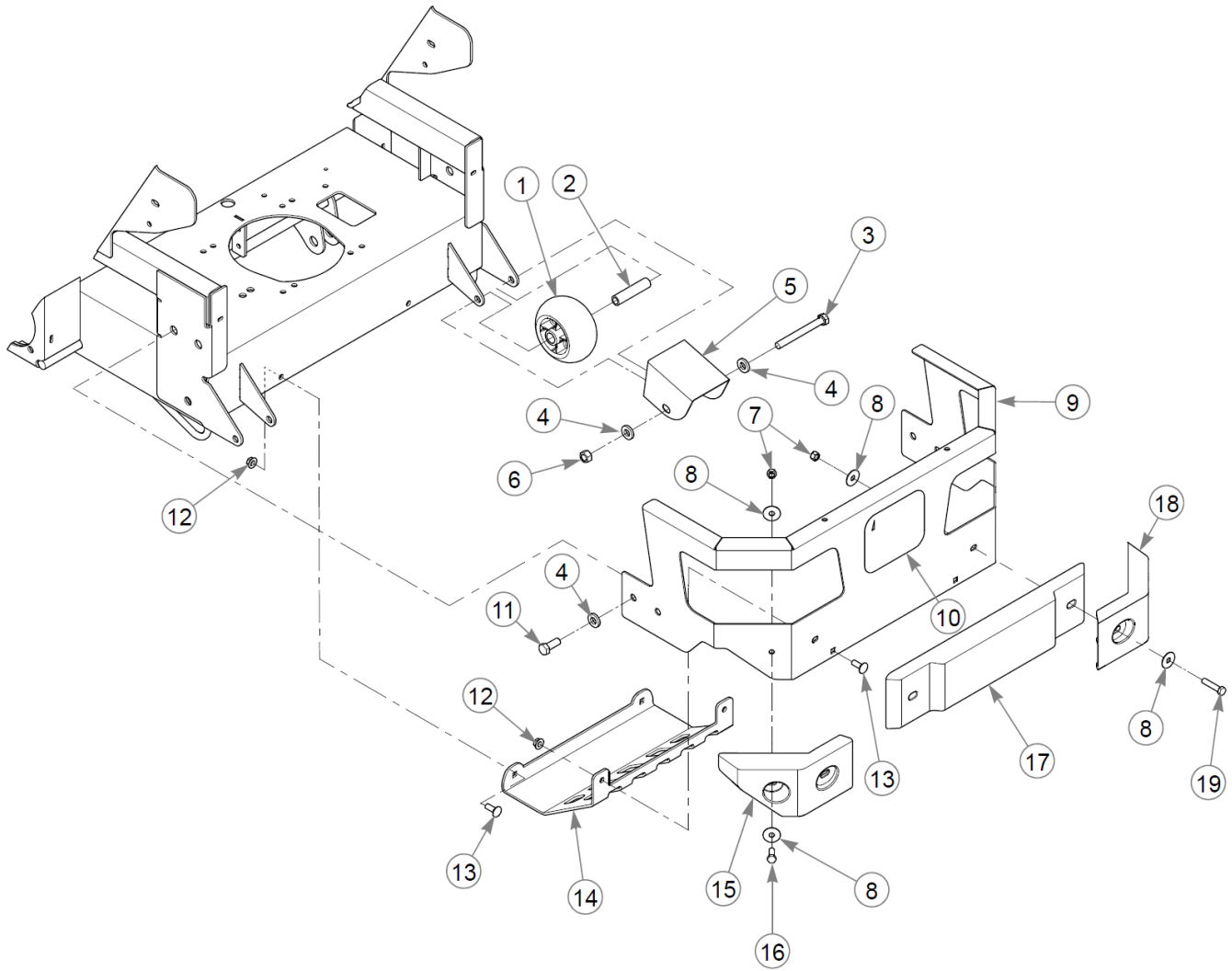


Frame

Elemento	Parte n.	Q.ta	Nome
1	554265	1	SVC FRAME, CE
2	602562	1	DECAL, NO SERVICE
3	781880	4	BUMPER, .500x 1.00x .31
4	601993	1	DECAL, SAFE OPERATION
5	N/A	2	SERIAL NUMBER / SPEC DECAL
6	789776CE	1	DBA LIMIT DECAL
7	776310	1	DECAL, CE MARK
8	808493	2	RIVET NUT, 3/8-16 THREA
9	602041	2	DECAL, HOT
10	600961	4	RIVET NUT, 1/2-13 THREAD
11	602407	1	DECAL, HUSTLER ID
12	015495	4	GREASE FITTING STRAIGHT

Comments for Page: Frame

1. Serial number decal. In the event the serial number decal becomes damaged or illegible, please contact your dealer to order a replacement.
2. EPA compliance decal (does not apply to mowers with serial numbers prior to 19020001).
3. The frame includes the decals and rivet nuts.



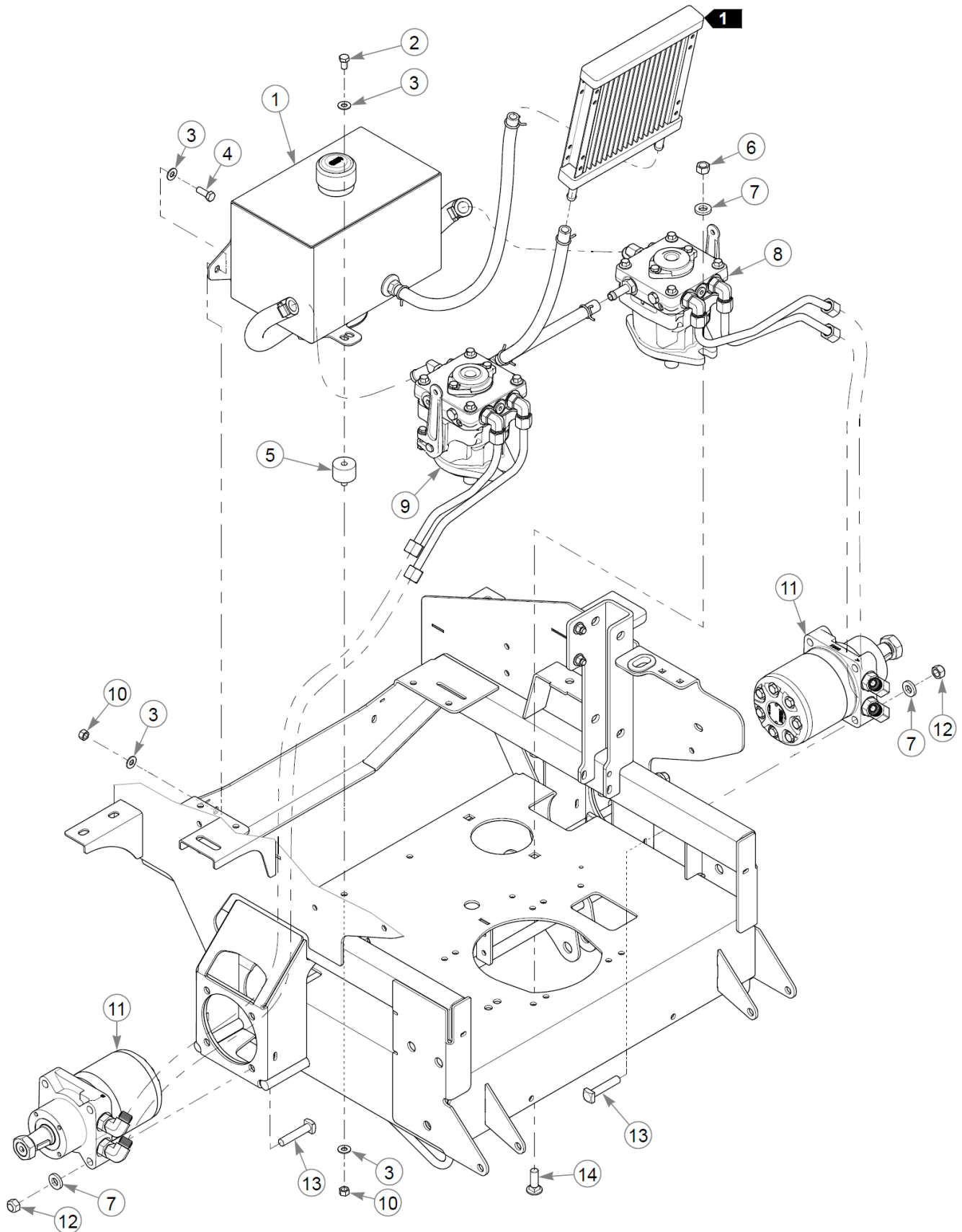
Muffler Guard & Engine Guard

60" Super Z Parts Manual - 936880CE - HTHSZS060KAWFX850VC

Elemento	Parte n.	Q.ta	Nome
1	602263	2	WHEEL, ANTI-SCALP
2	602345	2	SPACER, ANTI-SCALP 3.22
3	068239	2	CS .500-13X4.500HXG5
4	767962	8	FW .531 x 1.063 x .175
5	377994	2	HEAT SHIELD, MMZ ROLLER
6	008193	2	NT .500-13HXG5
7	086660	4	NT .375-16NLG8
8	705137	8	FW 0.391X1.25X.06 ZY
9	554293	1	SVC, ENGINE GUARD
10	606807	1	DECAL, H LOGO
11	705954	4	CS .500-13X1.25 HX G5 ZY
12	016899	4	NT .375-16 FLKG5
13	025395	4	CB .375-16X 1.00 G5 ZNY
14	124218-3	1	MUFFLER GUARD
15	606658	1	PLASTIC BUMPER, LH
16	036244	2	CS .375-16X1.00 HX G5 ZY
17	606657	1	PLASTIC BUMPER, CENTER
18	606659	1	PLASTIC BUMPER, RH
19	705178	2	CS .375-16X1.750HXG5

Comments for Page: Muffler Guard & Engine Guard

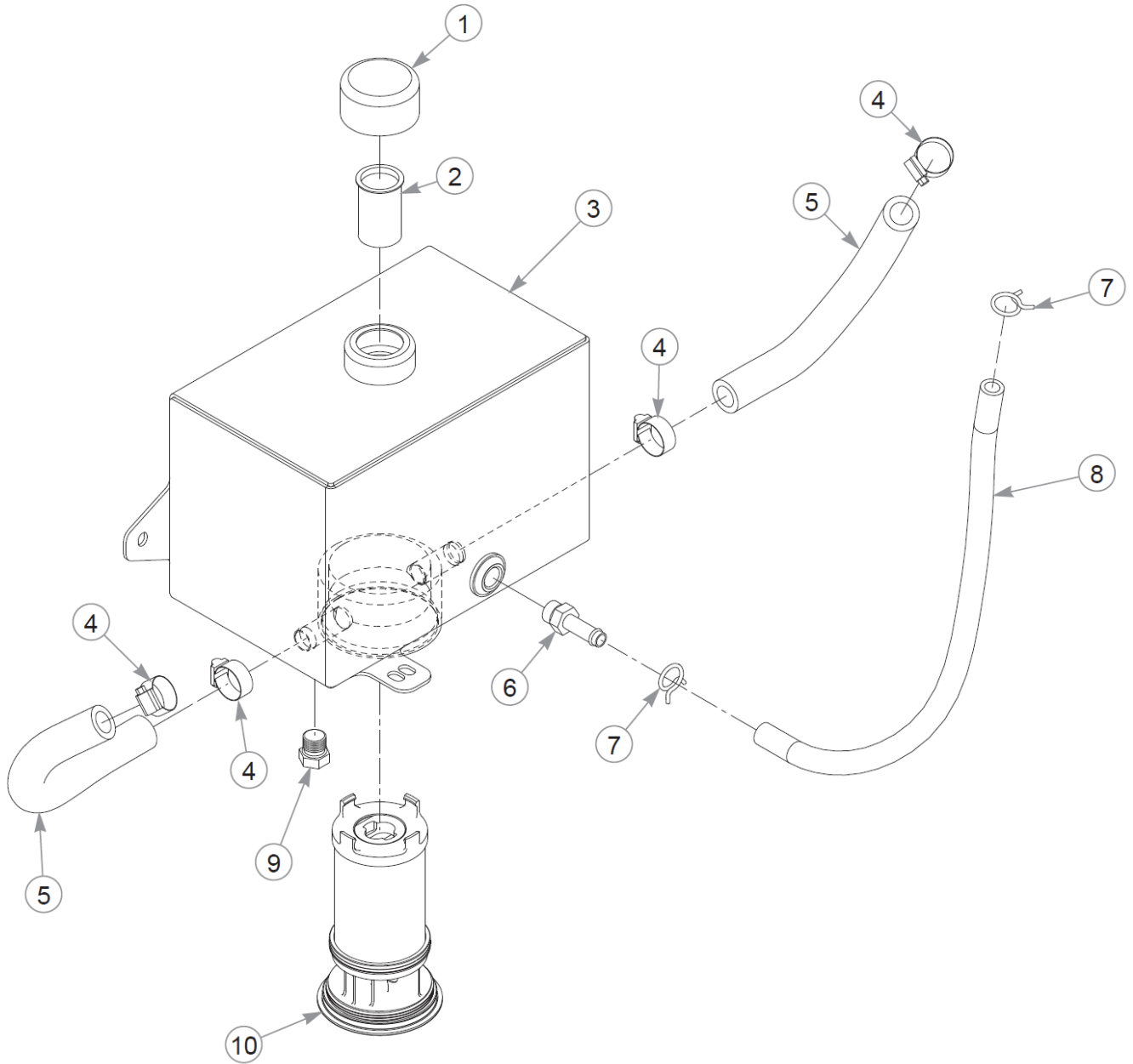
1. The engine guard includes the decal.



Elemento	Parte n.	Q.ta	Nome
1		1	REFER TO THE "HYDRAULIC RESERVOIR BREAKDOWN"
2	056069	1	CS .375-16X0.63 HX G5 ZY
3	767954	6	FW 0.379X.82X.06 HD ZY
4	036244	2	CS .375-16X1.00 HX G5 ZY
5	606890	1	VIBRATION MOUNT
6	008193	4	NT .500-13HXG5
7	767962	12	FW .531 x 1.063 x .175
8		1	REFER TO THE "RS PUMP ASSEMBLY BREAKDOWN"
9		1	REFER TO THE "LS PUMP ASSEMBLY BREAKDOWN"
10	054502	3	NT .375-16HXG5
11		2	REFER TO THE "WHEEL MOTOR ASSEMBLY BREAKDOWN"
12	023317	8	NT .500-13UNTG8
13	602256	8	CS .500-13X2.500 SQ G5
14	028274	4	CB .500-13X 1.500 FULL

Comments for Page: Hydraulic System Assembly

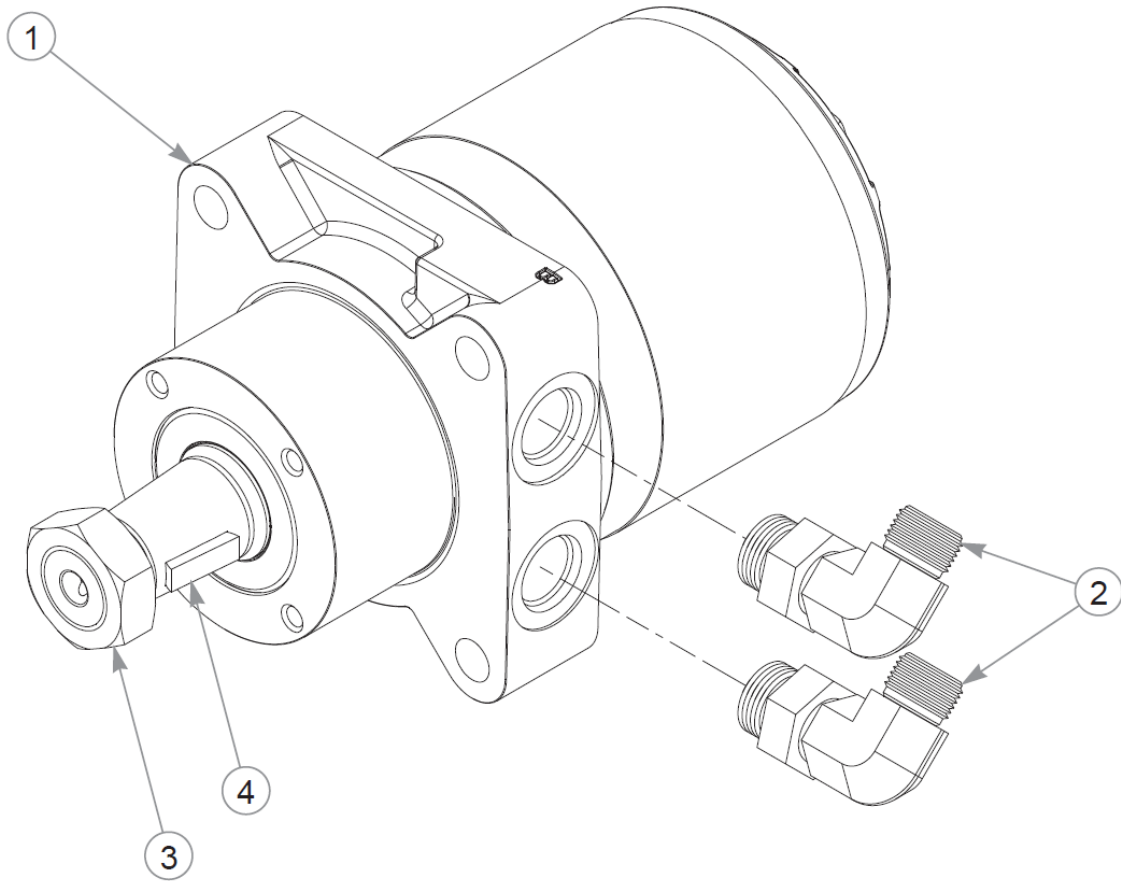
1. Part of the Oil Cooler Mount assembly.



Hydraulic Filter & Reservoir Breakdown

60" Super Z Parts Manual - 936880CE - HTHSZS060KAWFX850VC

Elemento	Parte n.	Q.ta	Nome
1	032763	1	CAP, BREATHER
2	032771	1	STRAINER
3	606088	1	RESEVOIR, HYDRAULIC
4	700484	4	CLAMP, HOSE (FS)
5	603045	2	HOSE, PUMP SUCTION
6	601523	1	FTG, -8MORB/-8BT STR
7	601001	2	SPRING CLAMP, .75" DIA
8	603819	1	HOSE ASSY, COOLER-TANK
9	781658	1	FTG, -8MORB/HEX PLUG
10	602768X	1	HYDRAULIC OIL FILTER

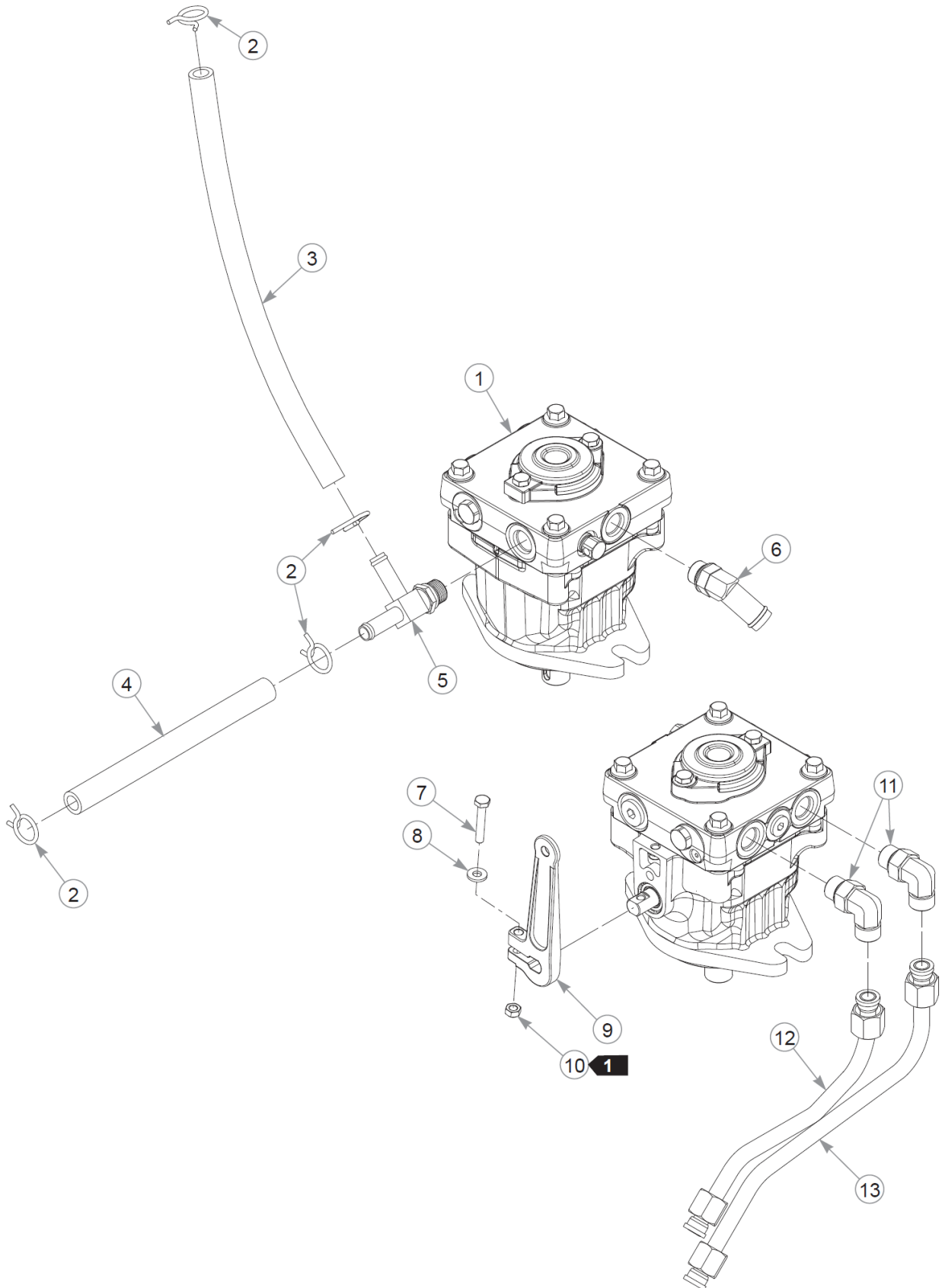


Wheel Motor Assembly Breakdown

60" Super Z Parts Manual - 936880CE - HTHSZS060KAWFX850VC

Elemento	Parte n.	Q.ta	Nome
1	606089	1	MOTOR, TG0310 HOS
2	781526	2	FTG, 90°-10MORB/-8MORFS
3	065516	1	ROSS NUT
4	064337	1	ROSS WOODRUFF KEY
5	748806	1	ROSS VITON SEAL KIT

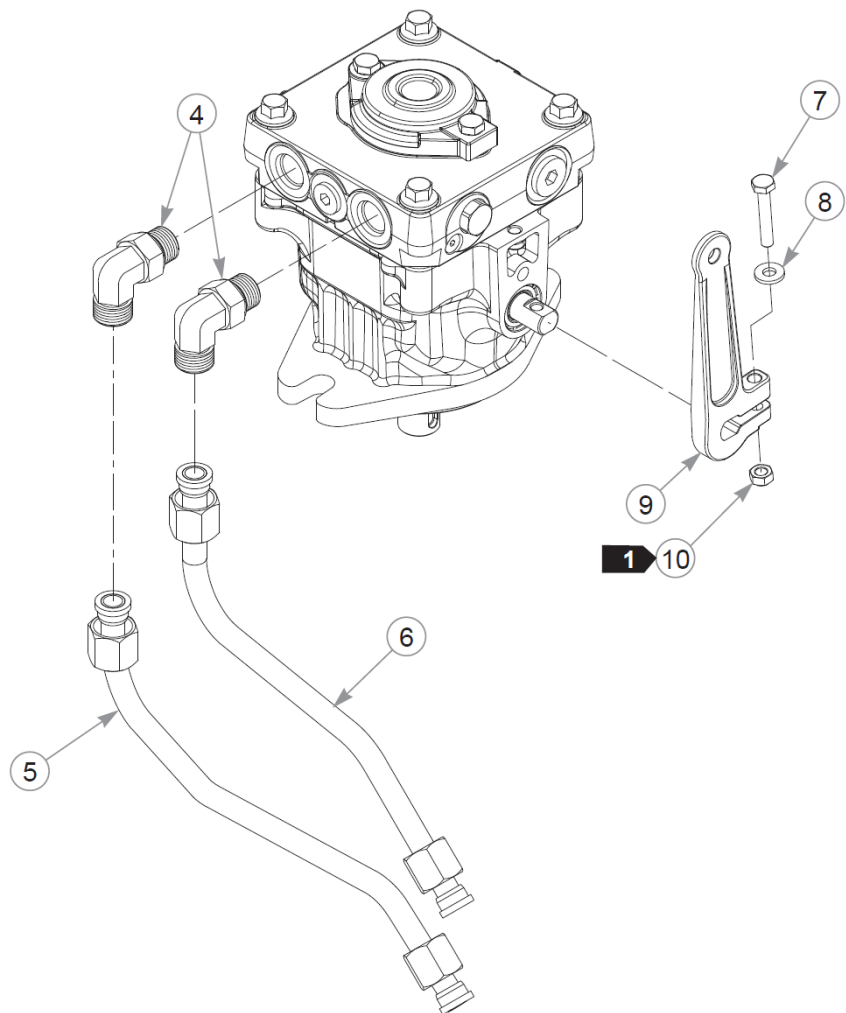
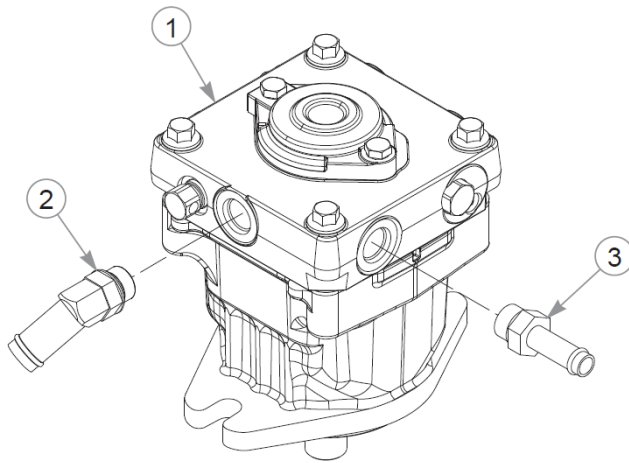
LS Pump Assembly



Elemento	Parte n.	Q.ta	Nome
1	605759	1	PUMP, H-G PW W/ HOS-LS
2	601001	4	SPRING CLAMP, .75" DIA
3	606102	1	HOSE, PUMP DRAIN
4	606101	1	HOSE, PUMP DRAIN
5	606100	1	FTG, T -8 MORB/BT/BT
6	744854	1	O-RING TUBE ADAPTER 45
7	008581	1	CS .250-20X1.500HXG5
8	768515	1	FW 0.281SAE
9	604831	1	PUMP ARM, SZ
10	068551	1	NT .250-20 HXZY NL
11	781542	2	FTG, 90°-8MORB/-8MORFS
12	604334	1	TUBE, LP-TM LT LOOP
13	604335	1	TUBE, RP-BM LT LOOP
14	784983	1	SEAL KIT, PW PUMPS

Comments for Page: LS Pump Assembly

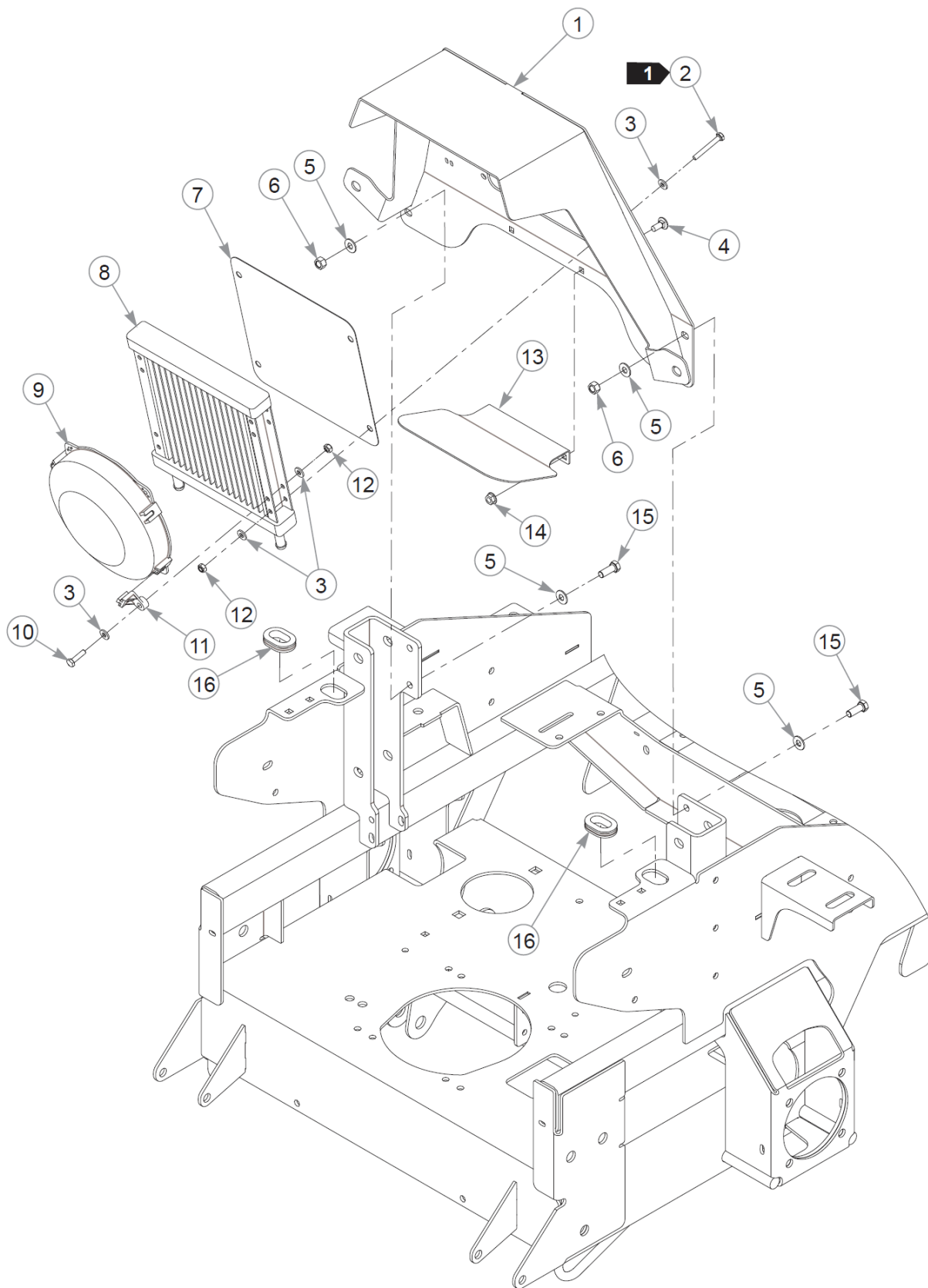
1. Torque to 11 N•m.



Elemento	Parte n.	Q.ta	Nome
1	605760	1	PUMP, H-G PW W/ HOS-RS
2	744854	1	O-RING TUBE ADAPTER 45
3	601523	1	FTG, -8MORB/-8BT STR
4	781542	2	FTG, 90°-8MORB/-8MORFS
5	604333	1	TUBE, LP-TM RT LOOP
6	604332	1	TUBE, RP-BM RT LOOP
7	008581	1	CS .250-20X1.500HXG5
8	768515	1	FW 0.281SAE
9	604831	1	PUMP ARM, SZ
10	068551	1	NT .250-20 HXZY NL
11	784983	1	SEAL KIT, PW PUMPS

Comments for Page: RS Pump Assembly

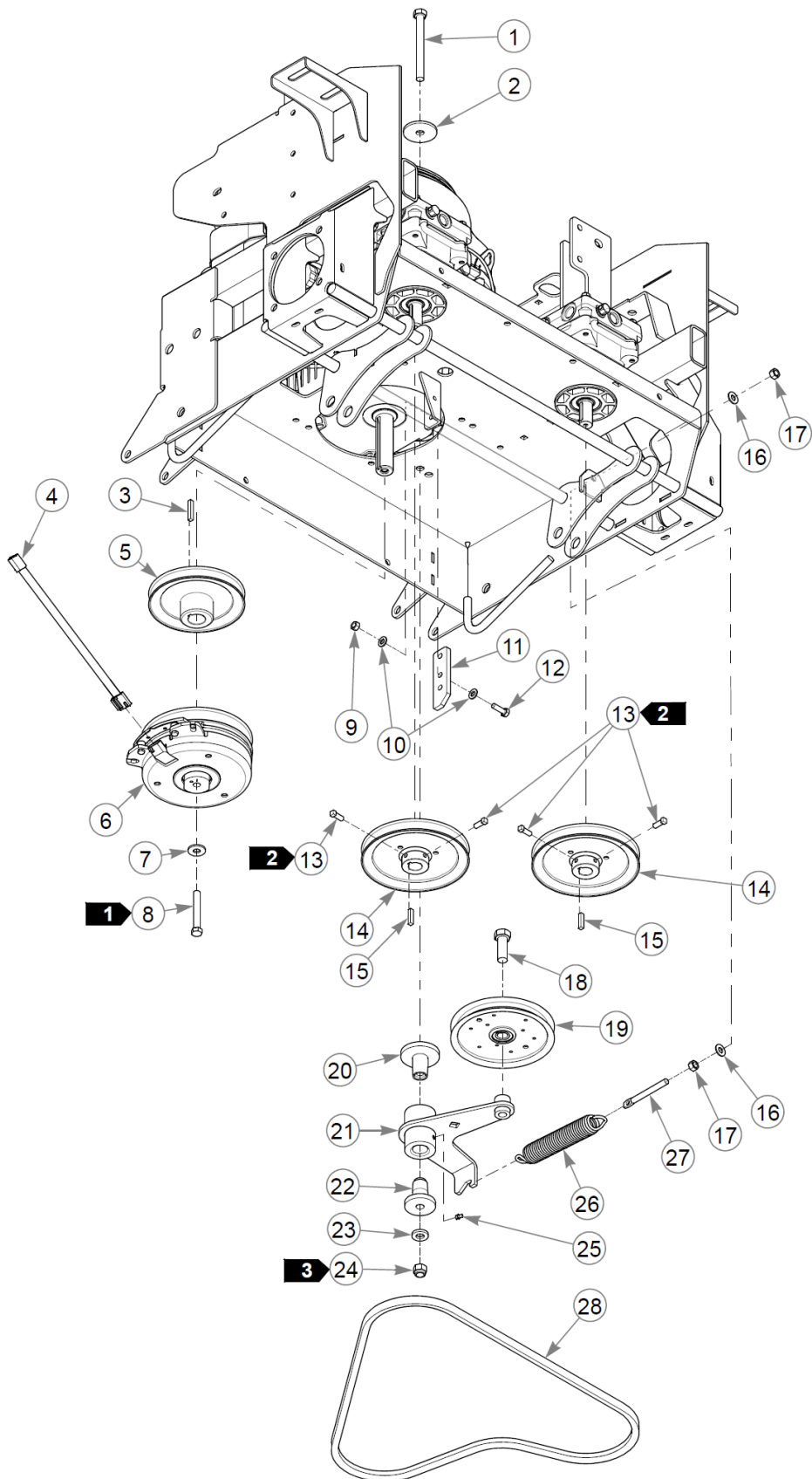
1. Torque to 11 N•m.



Elemento	Parte n.	Q.ta	Nome
1	124296-1	1	W/A, OIL COOLER MOUNT
2	704163	4	CS .250-20X2.000HXG5
3	768515	16	FW 0.281SAE
4	016253	2	CB .312-18X .750 FUL ZN
5	767954	8	FW 0.379X.82X.06 HD ZY
6	054502	4	NT .375-16HXG5
7	109401	1	SCREEN, OIL COOLER
8	601356	1	OIL COOLER FOR 8" FAN
9	601357	1	FAN, ELECTRIC 8" 12VDC
10	056077	4	CS .250-20X1.000HXG5
11	601538	4	FOOT, ELECTRIC FAN
12	068551	8	NT .250-20 HXZY NL
13	123687-3	1	AIR DEFLECTOR
14	016832	2	NT .312-18FLKG5
15	036244	4	CS .375-16X1.00 HX G5 ZY
16	706531	2	GM 1.12X1.75X1.37X.12
17	000430	5	WIRE TIE, SMALL/LONG

Comments for Page: Oil Cooler Mount

1. Torque to 7 N•m.



Pump Drive & Clutch

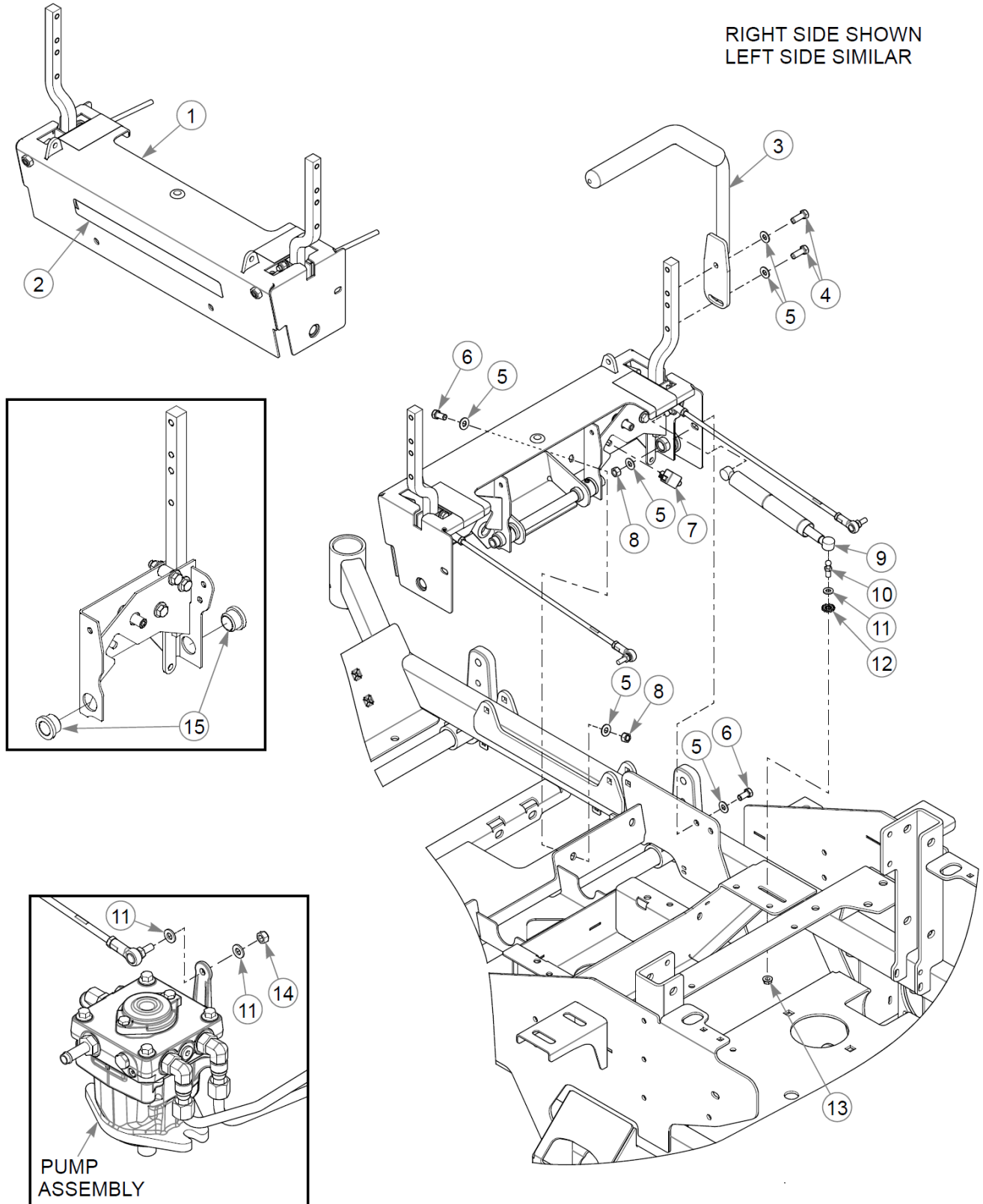
Elemento	Parte n.	Q.ta	Nome
1	051151	1	CS .500-13X5.000HXG5
2	344267	1	FW .510X2.15X.19 ZY
3	212076	1	KEY 1/4 SQ X 1.50 LG(FS)
4	791251	1	HARNESS, CLUTCH PIGTAIL
<p>Commenti per num parte 791251</p> <p>Pigtail was updated with epoxy to hold the wires steady. The wire sheath was also updated to a more flexible material.</p>			
5	603734	1	PULLEY 6.67 OPX1.125SHFT
6	606936K	1	CLUTCH KIT, CMS250
7	602680	1	FW .453X1.12X.12 HRD ZY
8	785048	1	CS .437-20X3.00 HXG5 P85
9	034272	2	NT .312-18HXG5
10	768523	4	FW 0.343SAE
11	113347	1	CLUTCH ANCHOR
12	036236	2	CS .312-18X1.250HXG5
13	083196	4	SS .312-18X0.750SQ
14	602754	2	PULLEY 7.35 OPx0.875SHFT
15	210146	2	KEY 1/4 SQ X 1.12 LONG
16	767954	2	FW 0.379X.82X.06 HD ZY
17	054502	2	NT .375-16HXG5
18	025007	1	CS .62511X1.750HXG5
19	603783	1	PULLEY, 6" FLAT IDLER
20	602880	1	BUSHING, IDLER PIVOT
21	115536	1	TENSIONER
22	602879	1	BUSHING, IDLER PIVOT
23	767962	1	FW .531 x 1.063 x .175
24	781567	1	NT .500-13NLG5
25	015495	1	GREASE FITTING STRAIGHT
26	601016	1	IDLER SPRING
27	601486	1	EB, .375-16X3.00 FULTHD
28	604208	1	DRIVE BELT
<p>Commenti per num parte 604208</p> <p>Belt design was a COG belt but has been changed to a smooth V-belt.</p>			

Comments for Page: Pump Drive & Clutch

Pump Drive & Clutch

1. Torque to 61–65 N•m. Replace (do not reuse) the cap screw if it is removed or loosened. Use only hand tools to install this fastener.
2. Torque to 16–20 N•m.
3. Torque to 96–102 N•m. The tensioner should pivot freely.

Pagina lasciata volutamente in bianco

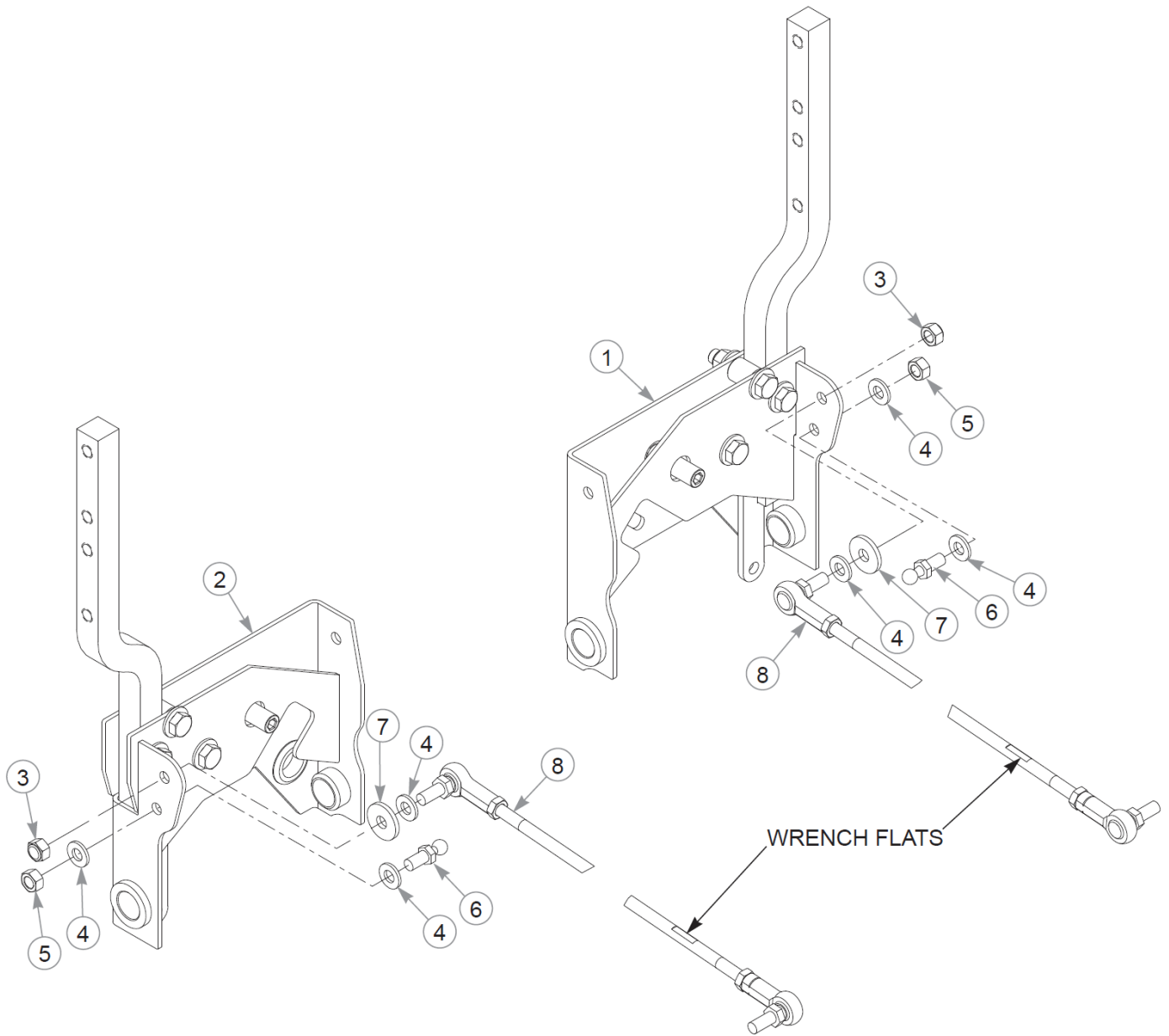


Steering

Elemento	Parte n.	Q.ta	Nome
1	N/A	1	STEERING COVER ASSEMBLY
2	605670	1	DECAL, SUPER Z ID
3	605924	2	STEERING BAR W/A
Not Shown	781260	2	GRIP, STEERING BAR
4	036244	4	CS .375-16X1.00 HX G5 ZY
5	767954	12	FW 0.379X.82X.06 HD ZY
6	055822	4	CS .375-16X0.75 HX G5 ZY
7	601087	2	SWITCH, PLUNGER N.O.
8	054502	4	NT .375-16HXG5
9	795351	2	DAMPER, CENTERING
10	781922	2	BALL STUD
11	768523	6	FW 0.343SAE
12	029876	2	LW .312 INTEXT ZY
13	016832	2	NT .312-18FLKG5
14	023655	2	NT 0.312-24 NL G8
15	781153	4	BUSHING, UHMW

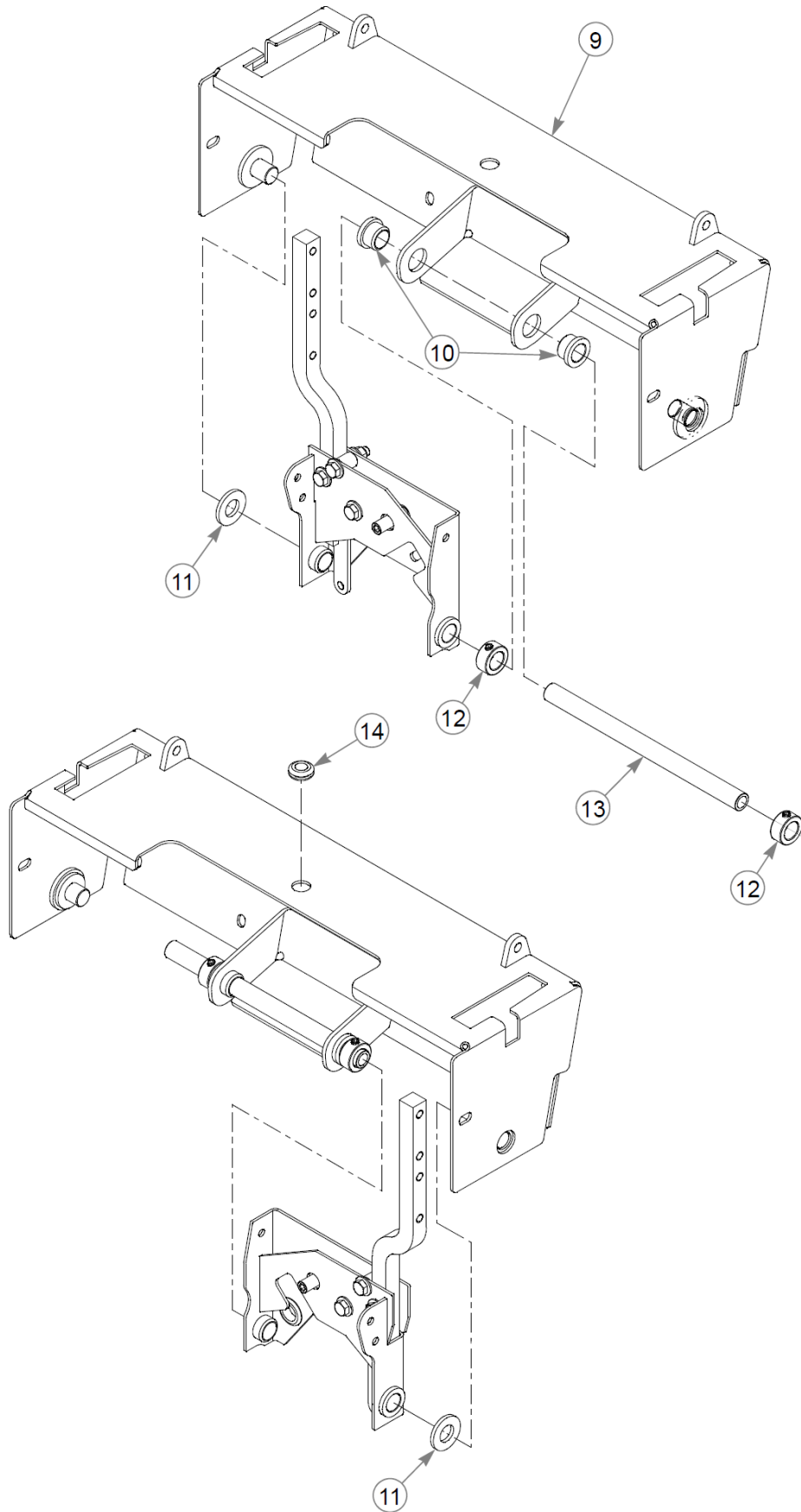
Comments for Page: Steering

1. The handle includes the grip.

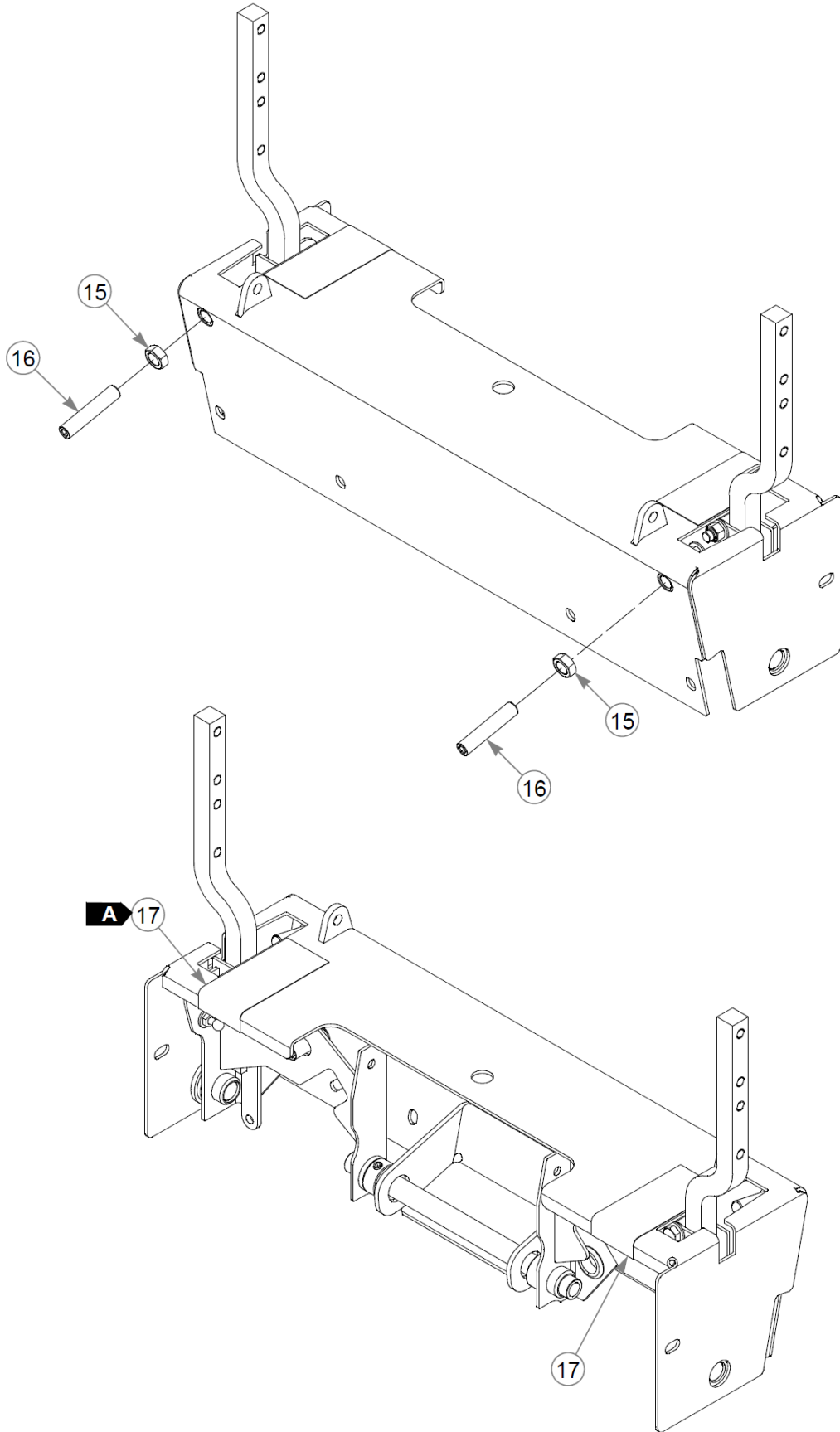


Steering Sub-Assembly (Multi-Page)

Elemento	Parte n.	Q.ta	Nome
1	604298	1	STEERING BOX SUB, LH
2	604297	1	RS STEERING BOX ASSEMBLY
3	023655	2	NT 0.312-24 NL G8
4	768523	6	FW 0.343SAE
5	034272	2	NT .312-18HXG5
6	781922	2	BALL STUD
7	712927	2	FW 0.344X1.00X.12 HD ZY
8	781286	2	PUMP ROD ADJUSTER ASSY
9	550818	1	STEERING COVER, SERVICE
10	781153	2	BUSHING, UHMW
11	603078	2	FW .750X1.50X.16 ZY
12	784439	2	LOCK COLLAR,0.757 ID(FS)
13	113007	1	STEER PIVOT TUBE, SZ
14	080358	1	GM .50X1.00X.75X.12
15	053199	2	NT .500-13JAMG5
16	603055	2	SS .500-13X 2.50 SH ZNYC
17	722199	11"	POLYURETHANE 2" (FS)



Pagina lasciata volutamente in bianco

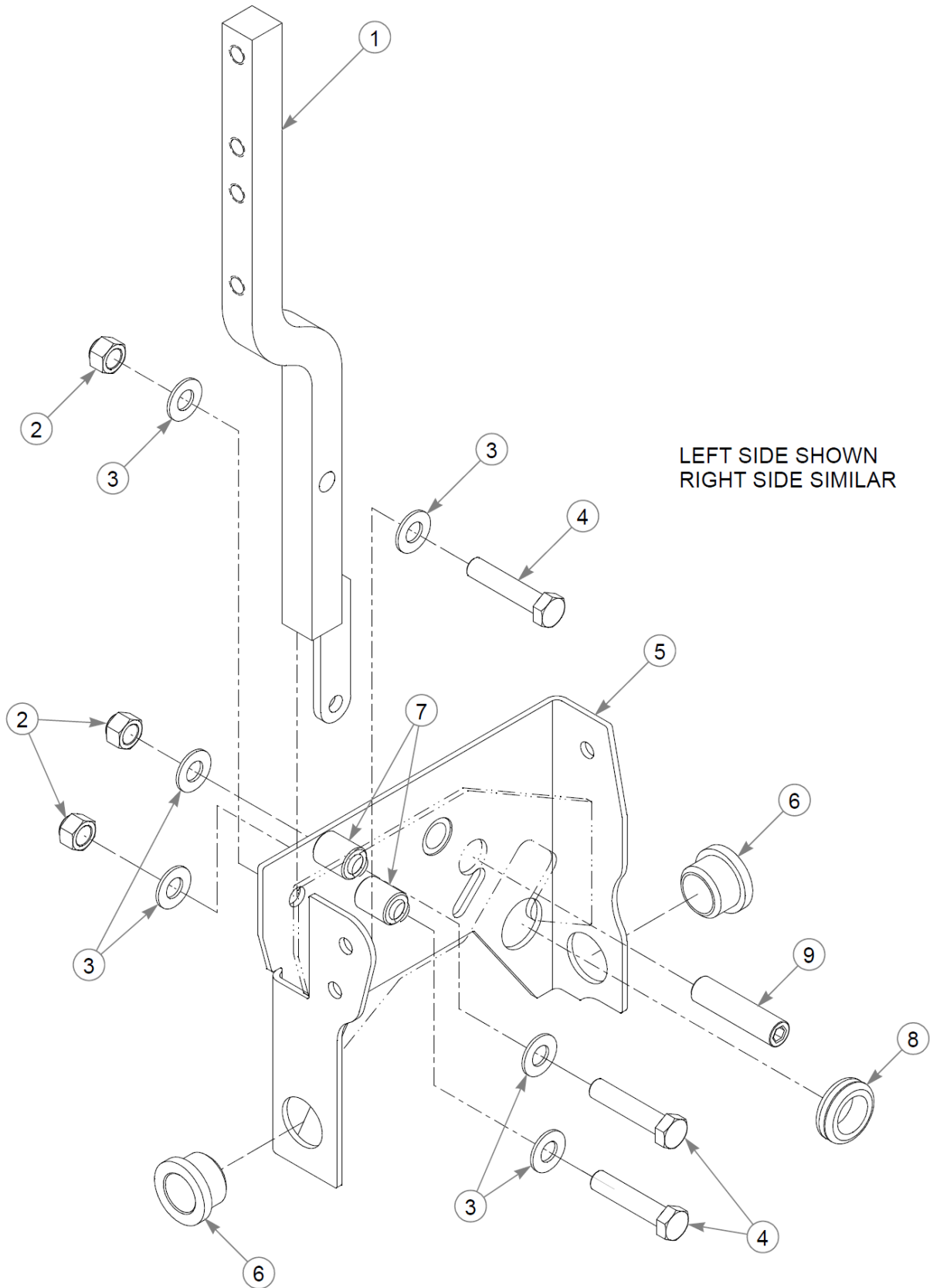


Steering Sub-Assembly (Multi-Page)

60" Super Z Parts Manual - 936880CE - HTHSZS060KAWFX850VC

Comments for Page: Steering Sub-Assembly (Multi-Page)

1. The steering cover includes the decal.WEAR TAPE LENGTHA: $5.5" \pm 0.3"$

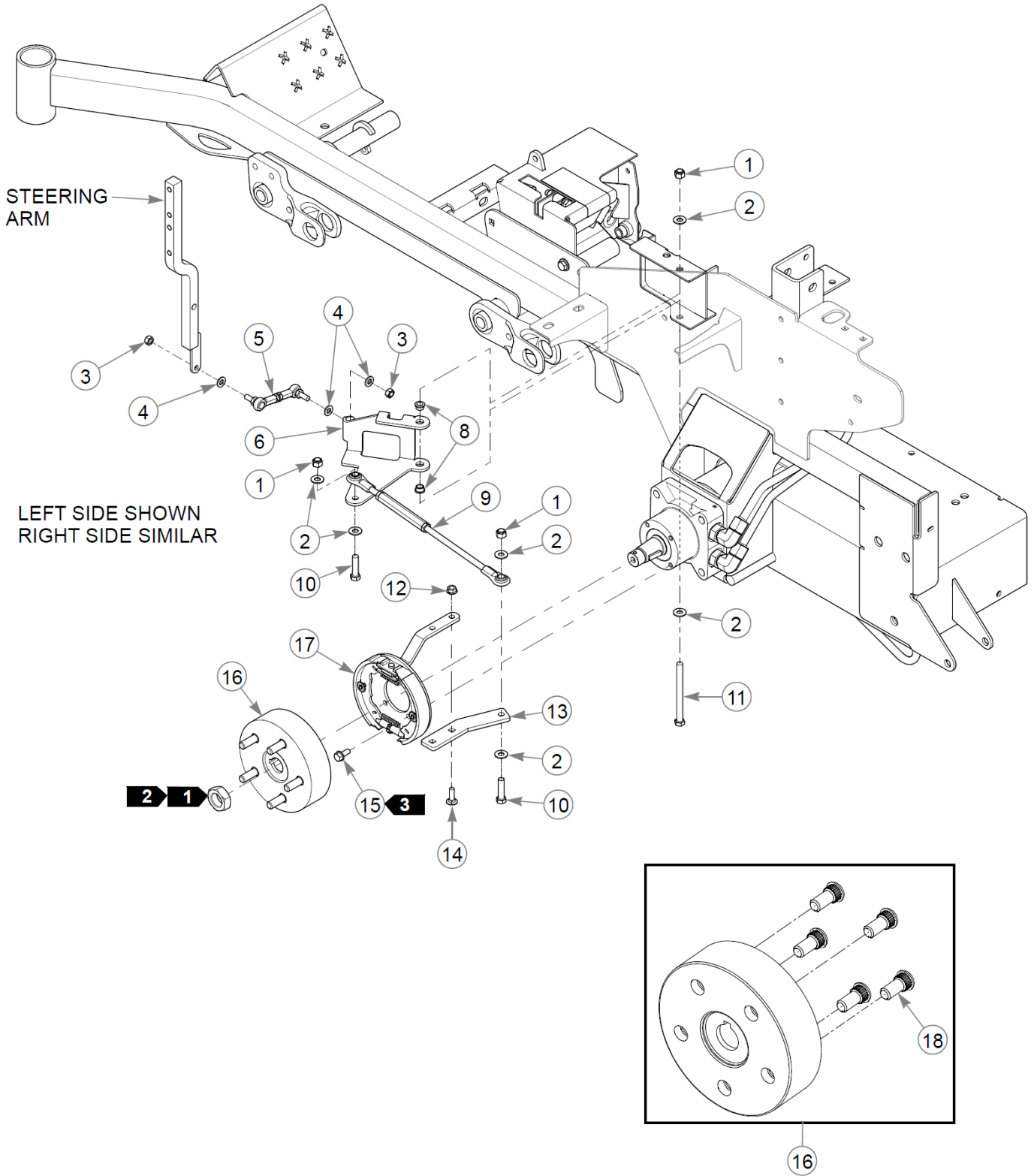


Steering Box Breakdown

Elemento	Parte n.	Q.ta	Nome
1	607151	1	STEERING ARM W/A
2	086660	3	NT .375-16NLG8
3	767954	6	FW 0.379X.82X.06 HD ZY
4	705178	3	CS .375-16X1.750HXG5
5	112899	1	STEERING BOX W/A LH
Not Shown	112898	1	STEERING BOX W/A, RH
6	781153	2	BUSHING, UHMW
7	348862	2	STEERLEVER BUSHING (PLA
8	047456	1	GM .750X.188X1.00X.12
9	797738	1	SS .500-13X2.000SH

Comments for Page: Steering Box Breakdown

1. Torque all hardware to 33 ft-lbs \pm 10%.

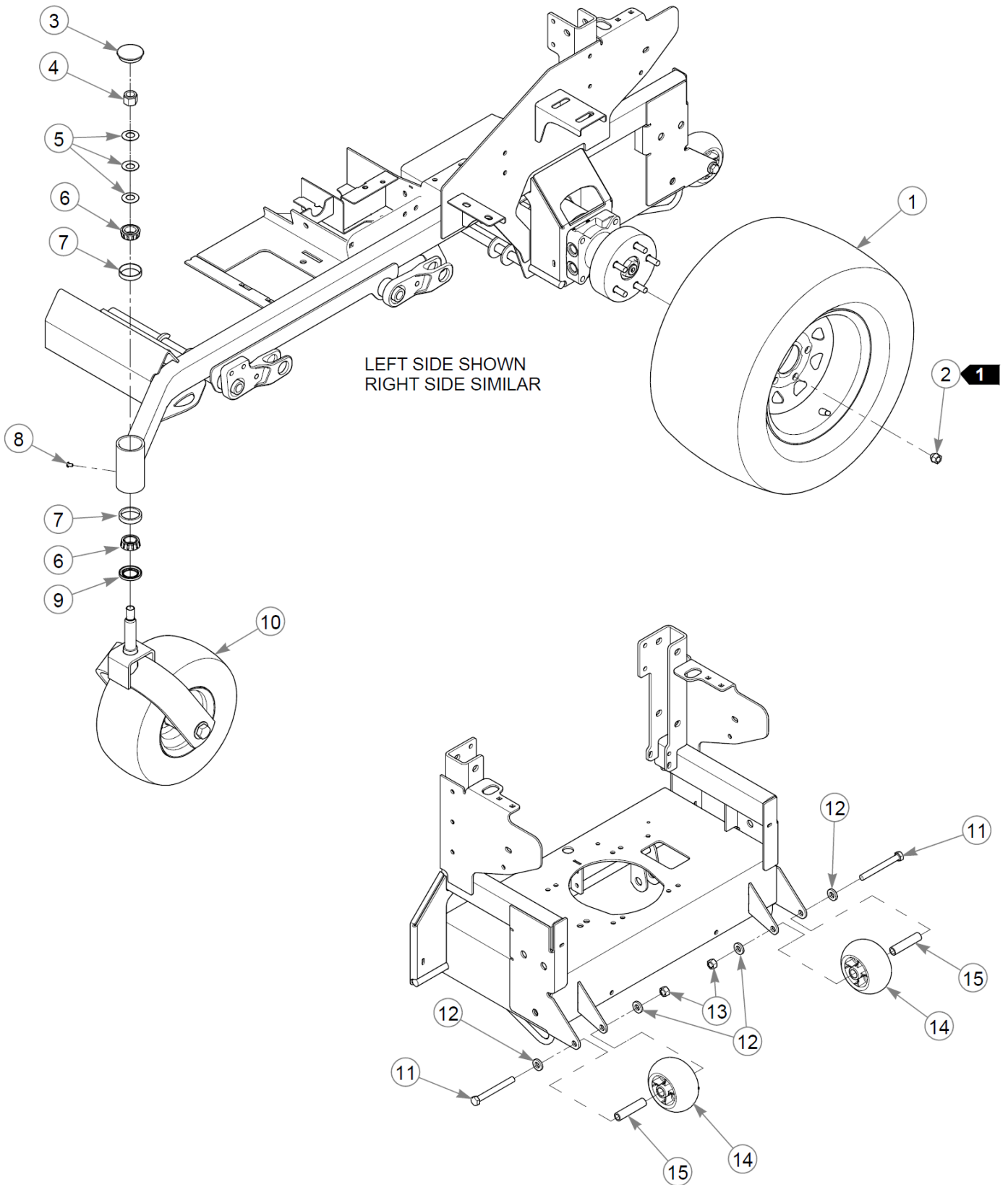


Brake

Elemento	Parte n.	Q.ta	Nome
1	086660	6	NT .375-16NLG8
2	767954	12	FW 0.379X.82X.06 HD ZY
3	023655	4	NT 0.312-24 NL G8
4	768523	6	FW 0.343SAE
5	781583	2	BRAKE ROD ASSEMBLY
6	112907	1	BRAKE BELLCRANK, SZ LS
7	112906	1	BRAKE BELLCRANK, SZ RS
8	765339	4	BUSHING,IGUS#0608 (FS)
9	350397	2	BRAKE LINK TURNBUCKLE A
10	080655	4	CS .375-16X1.500HXG5
11	052514	2	CS .375-16X4.500HXG5
12	016832	4	NT .312-18FLKG5
13	111309	2	BRAKE ARM,Z4
14	037887	4	CB .312-18X .750 FUL ZN
15	604461	8	CS .312-18X.75HXG8 FLK
16	602384	2	HUB ASSY, PARKER
17	602383	2	BRAKE ASSY, PARKER
18	606124	5	STUD 1/2-20 X 1 1/2"

Comments for Page: Brake

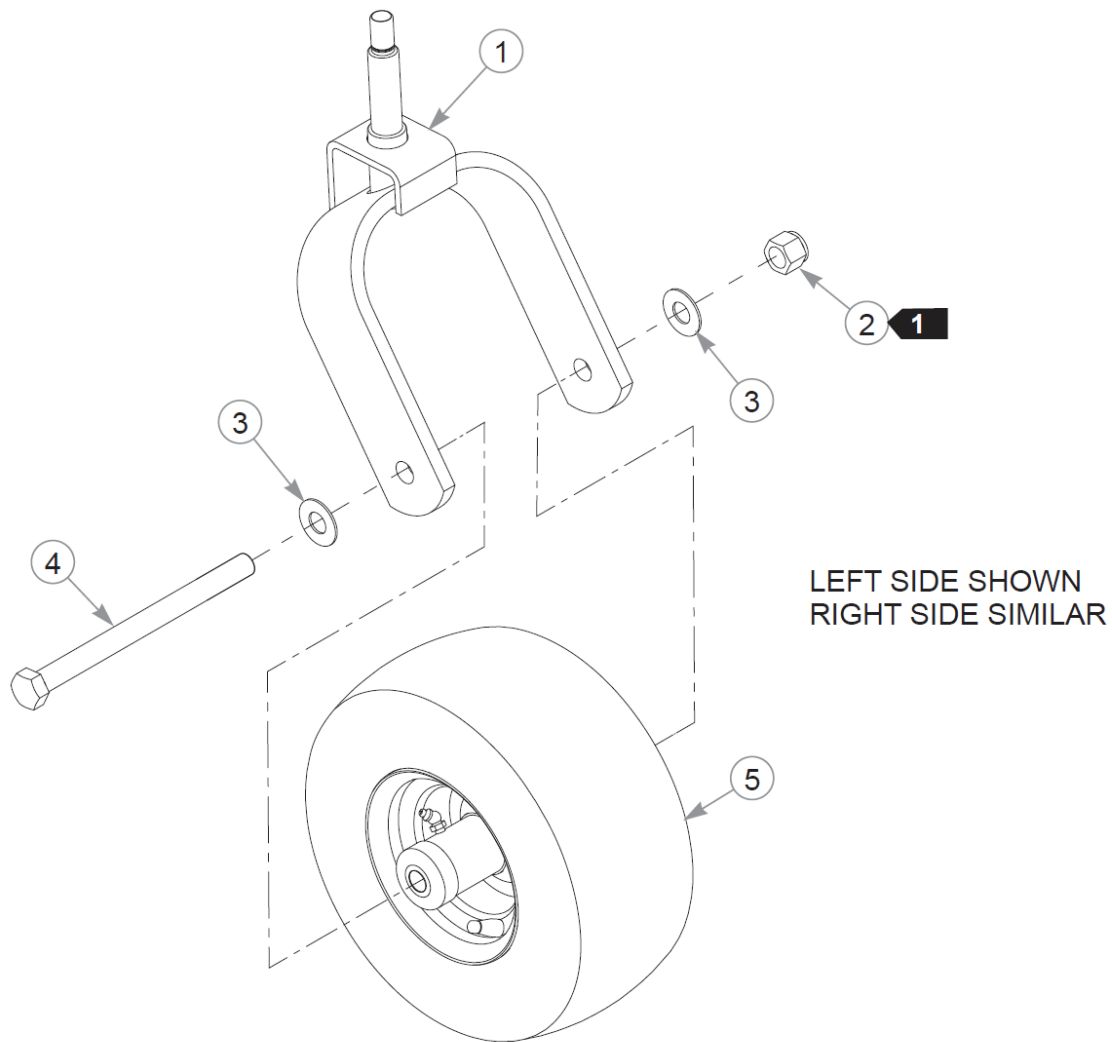
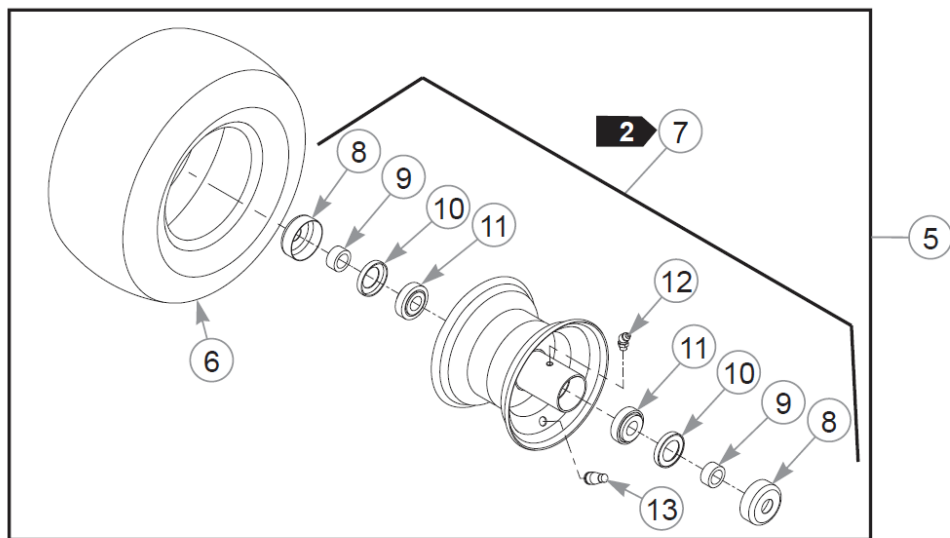
1. Included with the wheel motor.
2. Torque to 298–325 N•m.
3. Torque to 37 N•m. Replace (do not reuse) the cap screw if it is removed or loosened. Use only hand tools to install this fastener.
4. The hub assembly includes the studs.



Wheels & Tires

60" Super Z Parts Manual - 936880CE - HTHSZS060KAWFX850VC

Elemento	Parte n.	Q.ta	Nome
1	606968	1	TIR/WHL 24X12.00-12 SLV
2	061077	10	WHEEL NUT
3	606711	2	DUST CAP
4	061101	2	NT .750-10 HX ZY NL GR B
5	606715	6	CW 0.766 X 1.50 X .093
6	606712	4	BEARING, TAPERED ROLLER
7	606713	4	RACE, TAPERE ROLLER
8	606817	2	GREASE PLUG
9	606714	2	SEAL, 1.25 X 1.98
10		1	REFER TO THE "FRONT WHEEL ASSEMBLY BREAKDOWN"
11	068239	2	CS .500-13X4.500HXG5
12	767962	4	FW .531 x 1.063 x .175
13	008193	2	NT .500-13HXG5
14	602263	2	WHEEL, ANTI-SCALP
15	602345	2	SPACER, ANTI-SCALP 3.22

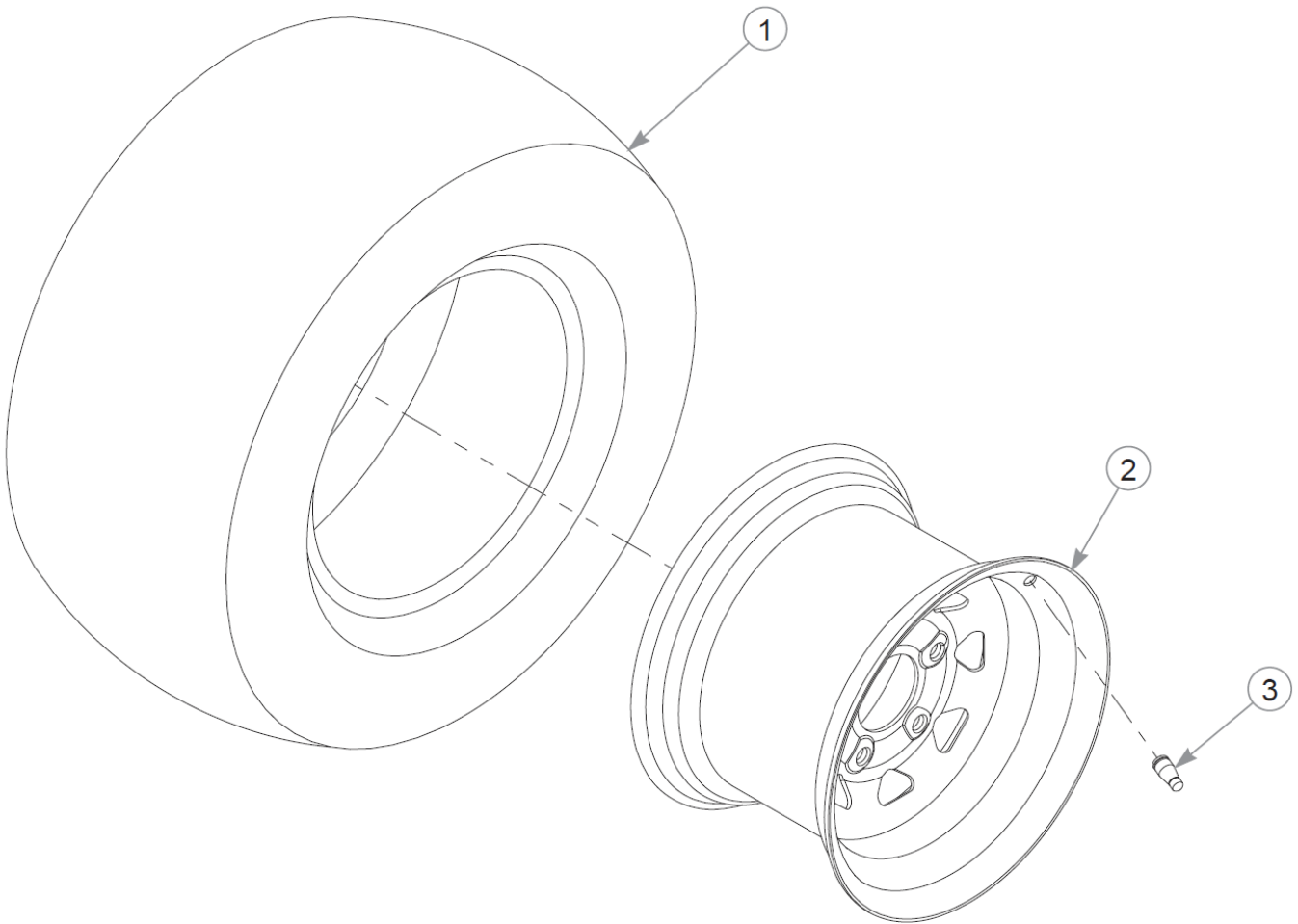


Front Wheel Assembly Breakdown

Elemento	Parte n.	Q.ta	Nome
1	123644-1	1	W/A, CASTER FORK
2	061101	1	NT .750-10 HX ZY NL GR B
3	025296	2	FW .760X1.63X0.08 ZY
4	041475	1	CS .750-10X9.50 HX G5 ZY
5	606744	1	TIR/WHL 13X6.50-6 SLV
6	604843	1	TIR 13X6.50-6 B4R SMTH
7	606751	1	WHL 6X4.50 SLV
8	606815	2	DUST CAP, 0.752 ID
9	606778	2	SPACER, 0.531
10	606780	2	SEAL
11	606753	2	BEARING, TAPERED ROLLER
12	606126	1	GREASE FITTING, M8X1.0
13	019521	1	TIRE VALVE TR-412 GOODY

Comments for Page: Front Wheel Assembly Breakdown

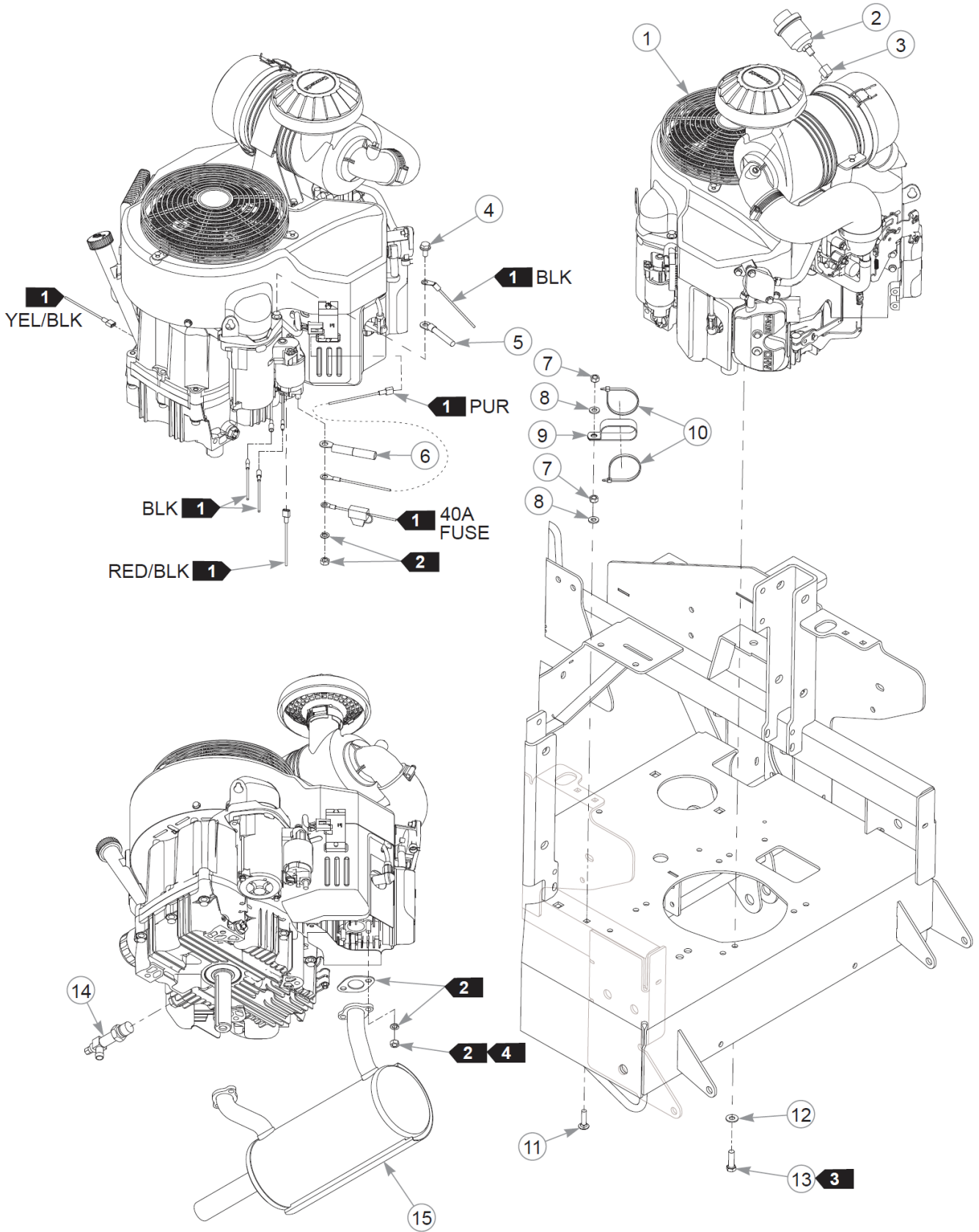
1. Tighten, then back off the nut until the wheel spins freely.
2. Refer to the General Service Manual for wheel bearing service procedures.



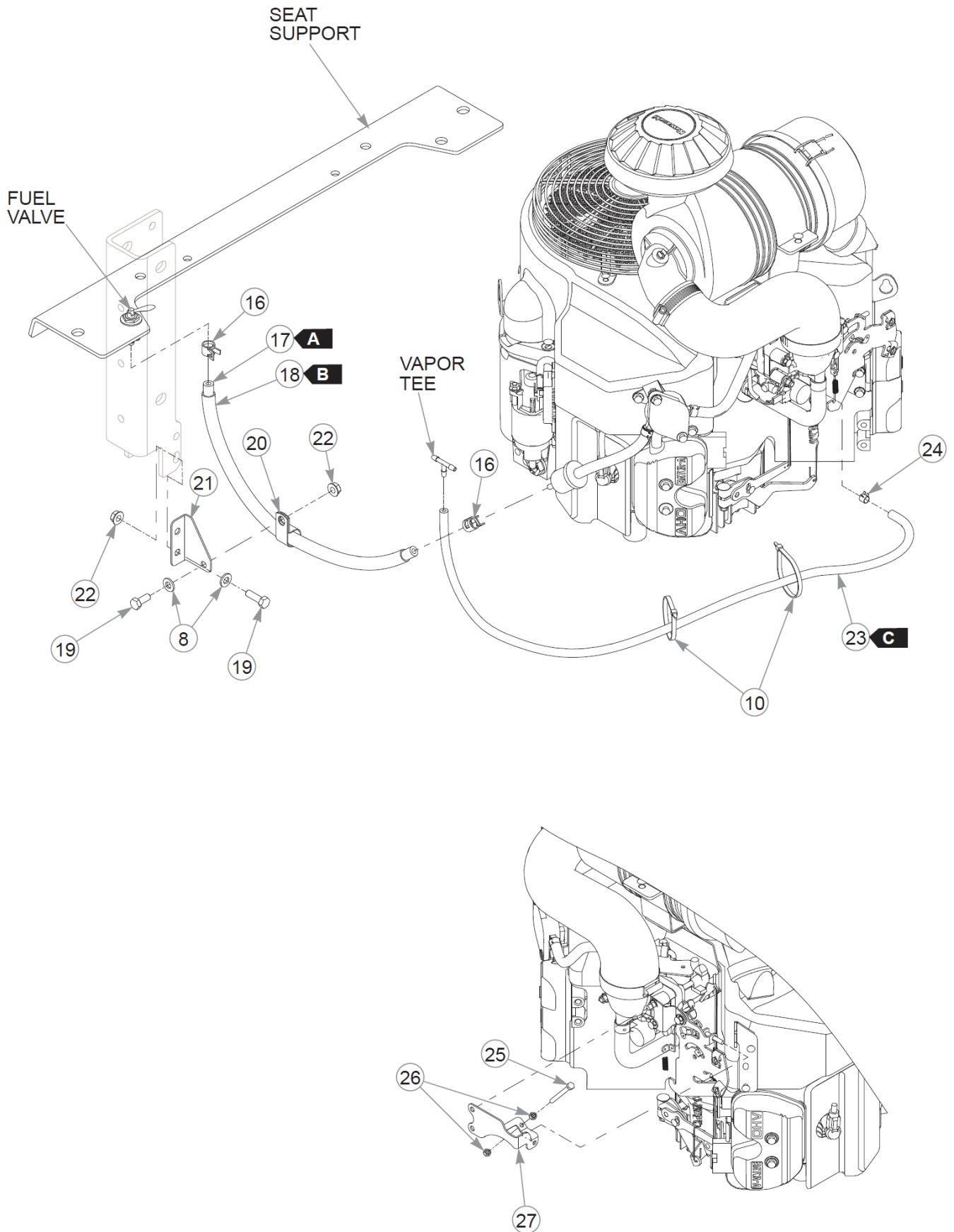
Drive Wheel Breakdown

60" Super Z Parts Manual - 936880CE - HTHSZS060KAWFX850VC

Elemento	Parte n.	Q.ta	Nome
1	606967	1	TIR 24X12.00-12 B4R GRMR
2	606820	1	WHL 12X8.50 5X4.5 SLV
3	019521	1	TIRE VALVE TR-412 GOODY



Elemento	Parte n.	Q.ta	Nome
1		1	ENGINE, KAW FX850V
2	788943	1	AIR FILTER INDICATOR
3	601216	1	FTG, ELBOW, STREET
4	720516	1	CS M8-1.25X16HX FL10.9
5	606440	1	BATTERY CABLE, NEGATIVE
6	606439	1	BATTERY CABLE, POSITIVE
7	034272	2	NT .312-18HXG5
8	768523	5	FW 0.343SAE
9	045088	1	HOSE CLAMP 1" (FS)
10	000331	4	WIRE TIE, SMALL/SHORT
11	602827	1	CB .312-18X 1.250 ZNYC
12	767954	4	FW 0.379X.82X.06 HD ZY
13	602580	4	CS .375-16X1.25HXG8ZYP85
14	796524	1	VALVE,OIL DRAIN M20x2.5
15	603012	1	MUFFLER, FX850V
16	000323	2	CLIP, HOSE CLAMP
17	015818	43 cm	FUEL LINE, 1/4"
<p>Commenti per num parte 015818</p> <p>Sold by the foot.</p>			
18	605215	39 cm	FUEL LINE THERMAL SHIELD
<p>Commenti per num parte 605215</p> <p>Sold by the foot.</p>			
19	034280	3	CS .312-18X0.750HXG5
20	043570	1	CLIP - HOSE - SINGLE(FS)
21	124221-3	1	BRACKET, FUEL LINE
22	016832	3	NT .312-18FLKG5
23	603326	81 cm	VAPOR LINE, 3/16"
<p>Commenti per num parte 603326</p> <p>Sold by the foot.</p>			
24	603112	1	CLAMP, 3/16 FUEL
25	603524	1	CS M5-0.8 X 50 MM
26	048934	2	NT M5-0.8 HX GRD 8.8 ZN
27	120231	1	BRACKET, THROTTLE FX850V



Comments for Page: Engine & Muffler (Multi-Page)

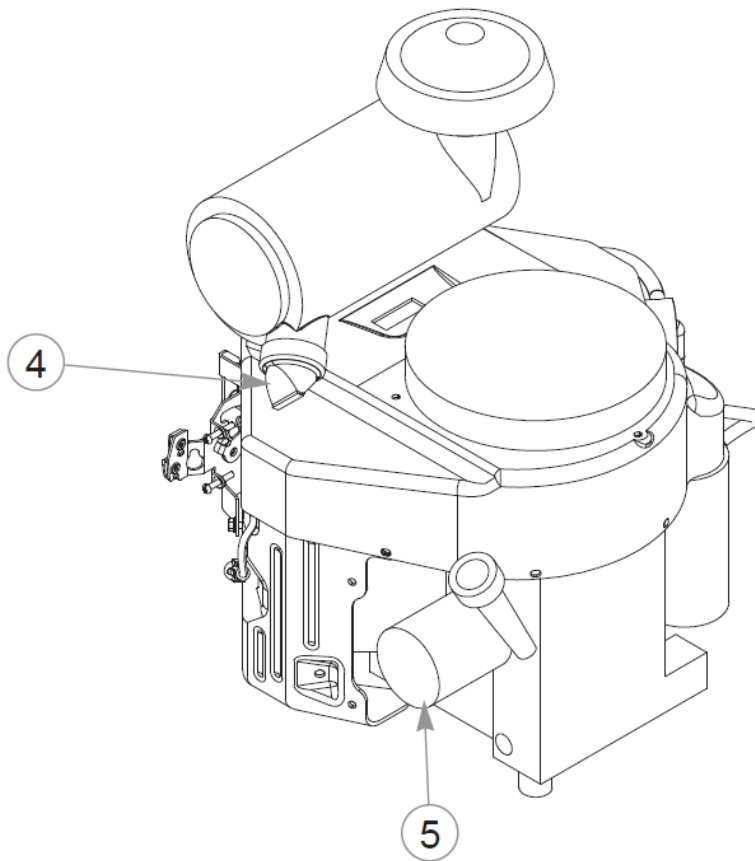
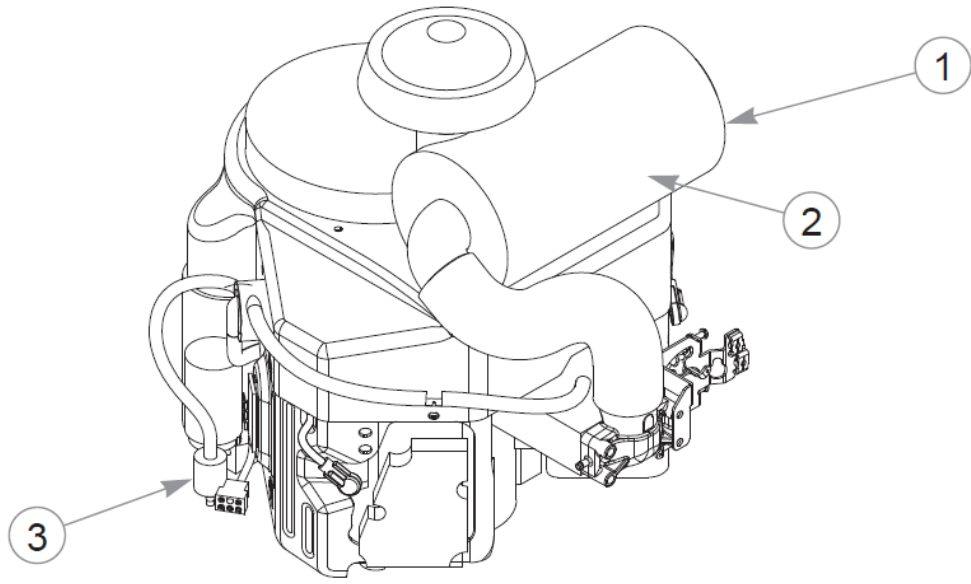
1. Part of the wire harness.
2. Supplied with the engine.
3. Torque to 16 N•m plus 60° rotation of the cap screw head. Replace (do not reuse) the cap screw if it is removed or loosened. Use only hand tools to install this fastener.
4. Torque to 23 N•m.

FUEL & VAPOR LINE LENGTHS

A: 43 cm VALVE TO ENGINE (FUEL)

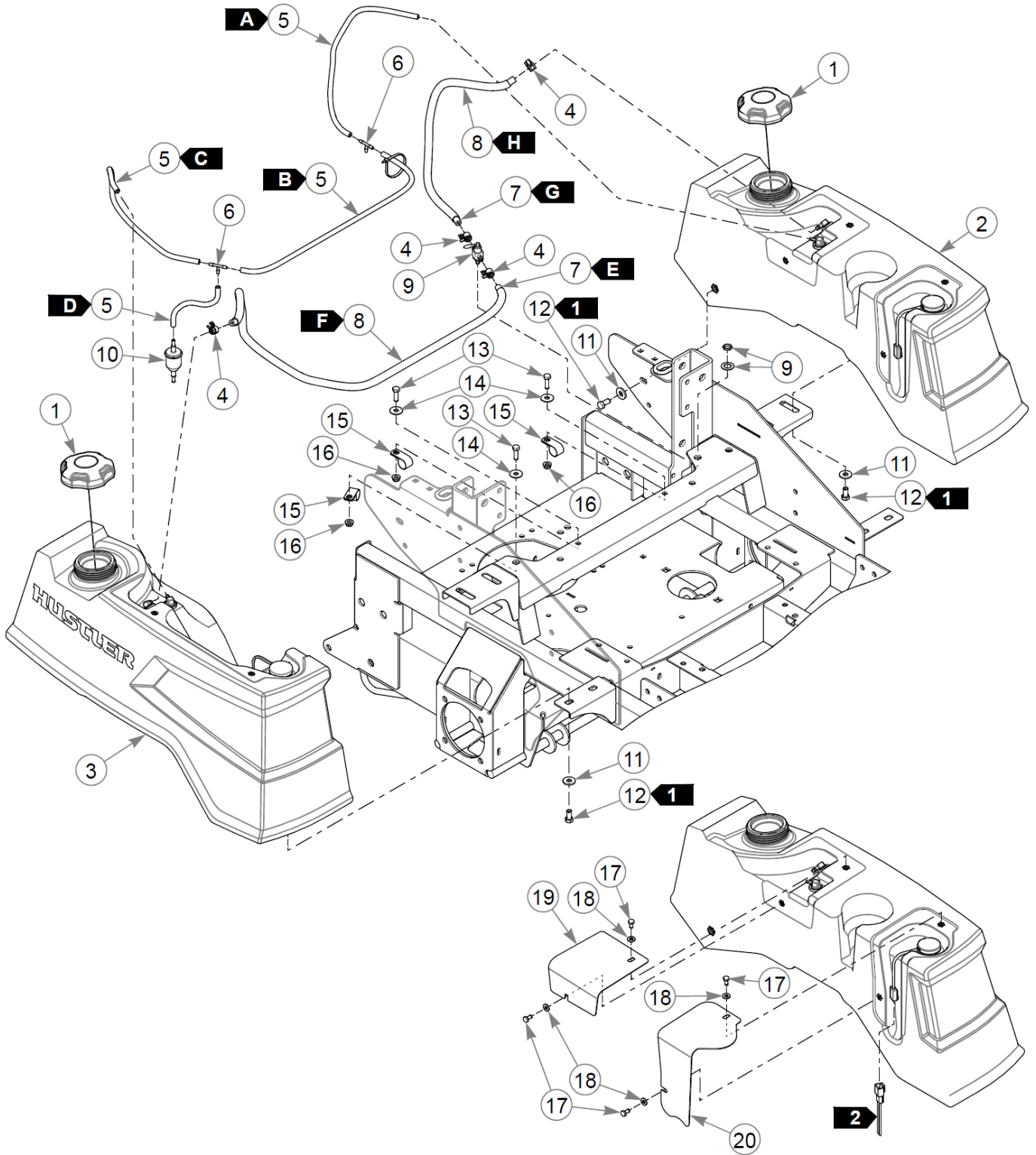
B: 39 cm FUEL LINE THERMAL SHIELD

C: 81 cm TEE TO ENGINE (VAPOR)



Engine Service Parts

Elemento	Parte n.	Q.ta	Nome
1	785261	1	AIR FILTER - MAIN
2	785279	1	AIR FILTER - SAFETY
3	068478	1	FUEL FILTER
4	763318	1	VALVE, VACUATOR
5	603138	1	FILTER, ENGINE OIL



Fuel System

Elemento	Parte n.	Q.ta	Nome
1	603807	2	CAP, 3.5" RATCHETING GAS
2	606434	1	TANK, FENDER LH ASSY
3	606433	1	TANK, FENDER RH ASSY
4	000323	4	CLIP, HOSE CLAMP
5	603326	188 cm	VAPOR LINE, 3/16"
<p>Commenti per num parte 603326</p> <p>Sold by the foot.</p>			
6	604281	2	TEE, 3/16" PLASTIC
7	015818	170 cm	FUEL LINE, 1/4"
<p>Commenti per num parte 015818</p> <p>Sold by the foot.</p>			
8	605215	165 cm	FUEL LINE THERMAL SHIELD
<p>Commenti per num parte 605215</p> <p>Sold by the foot.</p>			
9	745059	1	FUEL VALVE 3-WAY
10	604323	1	FILTER, VAPOR SYSTEM
11	712919	10	FW 0.406X1.00X.12 HD ZY
12	055822	10	CS .375-16X0.75 HX G5 ZY
13	036236	3	CS .312-18X1.250HXG5
14	079210	3	FW 0.344X1.0X0.06 ZY
15	043570	3	CLIP - HOSE - SINGLE(FS)
16	016832	3	NT .312-18FLKG5
17	055947	4	CS .250-20X0.50 HX G5 ZY
18	768515	4	FW 0.281SAE
19	123182	1	COVER, FUEL LINES
20	123181	1	COVER, FUEL SENDER
21	000331	1	WIRE TIE, SMALL/SHORT

Comments for Page: Fuel System

FUEL & VAPOR LINE LENGTHS

- A: 48 cm LEFT TANK TO TEE (VAPOR)
- B: 61 cm TEE TO TEE (VAPOR)
- C: 56 cm RIGHT TANK TO TEE (VAPOR)

Fuel System

D: 23 cm TEE TO FILTER (VAPOR)

E: 112 cm RIGHT TANK TO VALVE (FUEL)

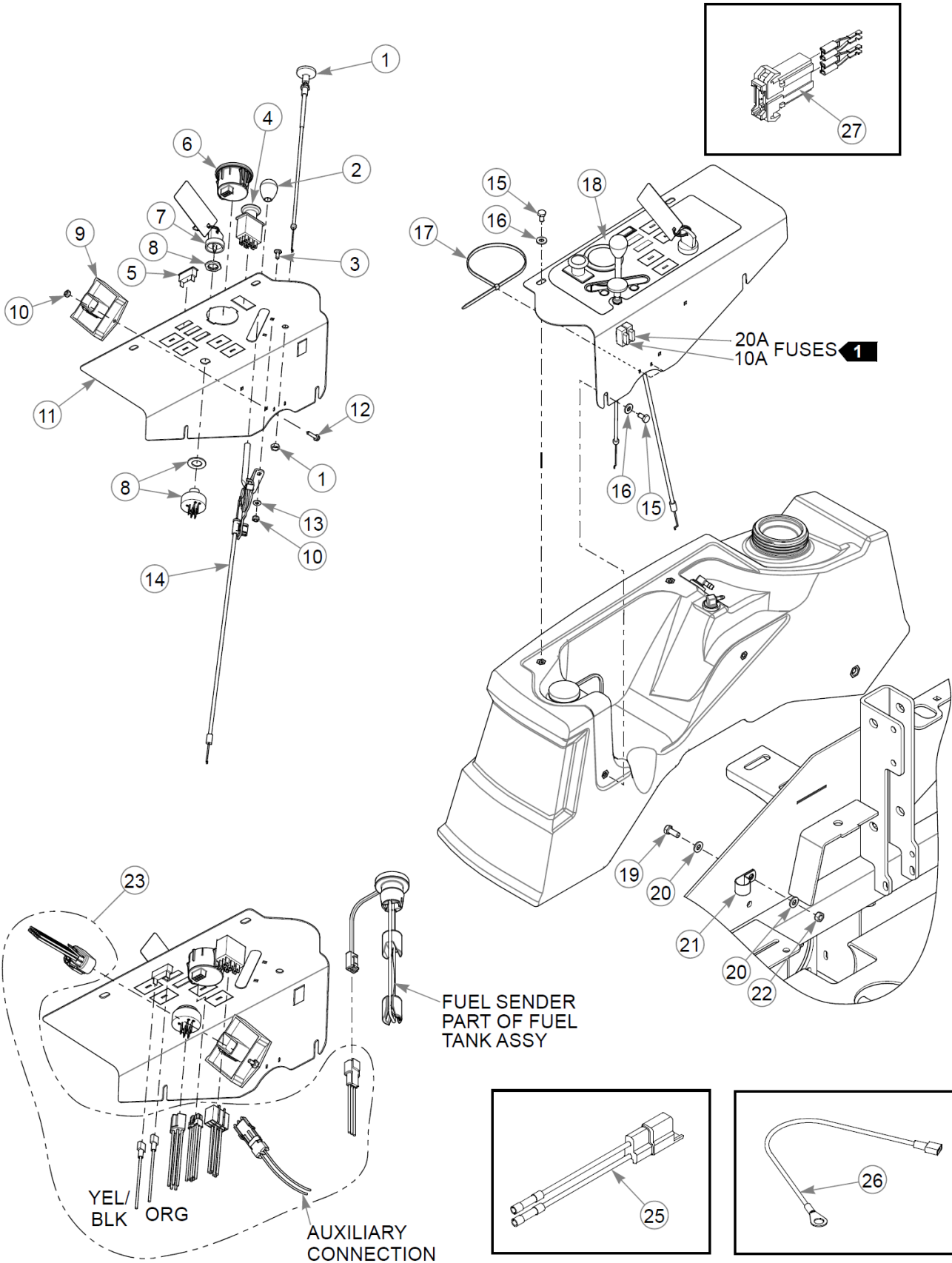
F: 109 cm RIGHT TANK TO VALVE (THERMAL SHIELD)

G: 58 cm LEFT TANK TO VALVE (FUEL)

H: 56 cm LEFT TANK TO VALVE (THERMAL SHIELD)

1. Torque to 22 N•m..
2. Part of the wire harness.

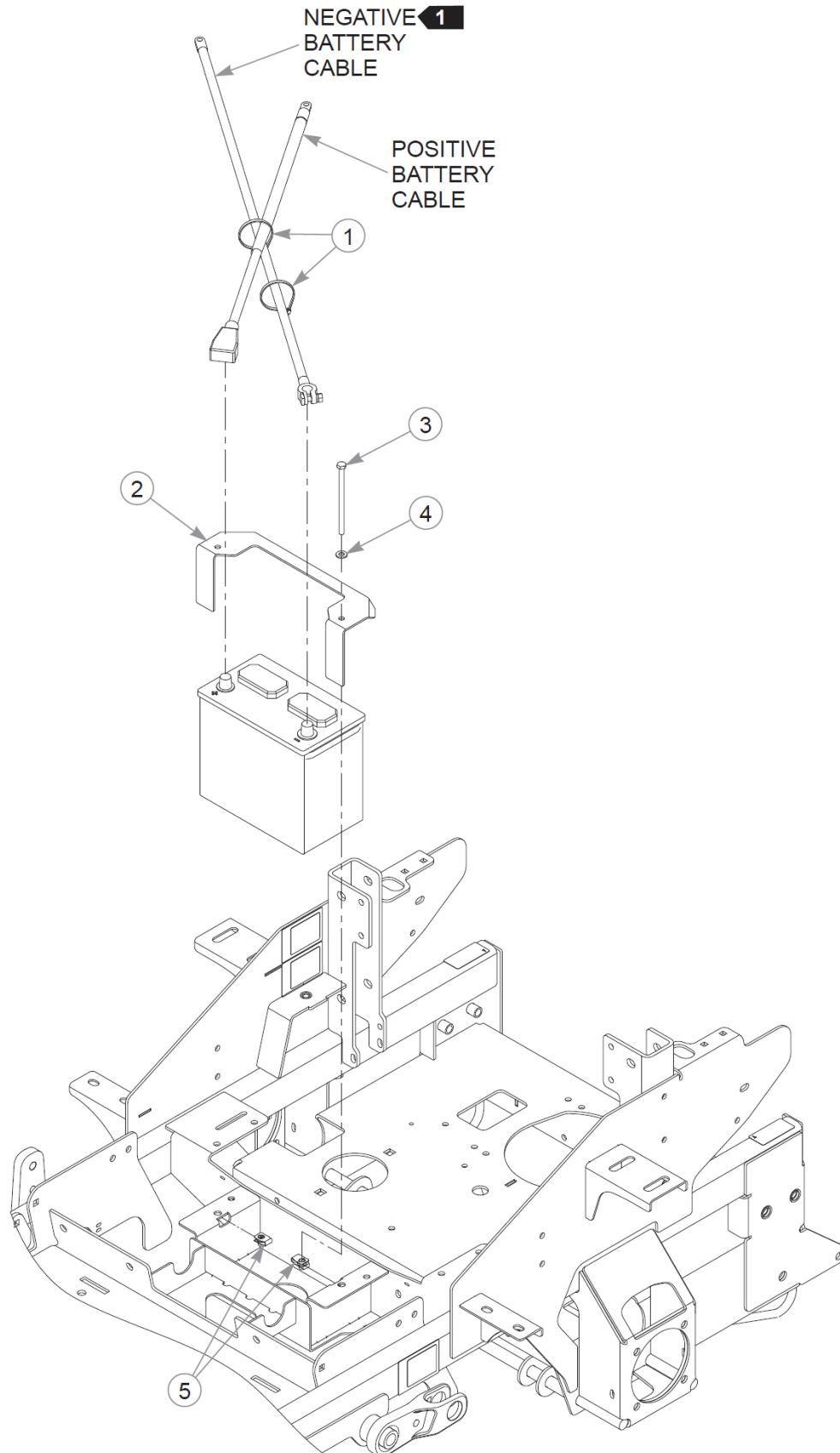
Pagina lasciata volutamente in bianco



Elemento	Parte n.	Q.ta	Nome
1	601095	1	CABLE, CHOKE
2	603523	1	KNOB
3	601098	2	CB 10-24 X .500 ZYNC
4	776476	1	SWITCH, PTO 6201-321
5	712257	1	INDICATOR LIGHT, RED(FS)
6	606068	1	GAUGE, FUEL/HOURMETER
7	785808	1	KEY ASSEMBLY
8	045898	1	IGNITION SWITCH
9	604373	1	RELAY CONTROL MODULE
10	059832	4	NT #10-24 HX NL ZN
11	553845	1	SVC, INSTR PANEL
12	063198	2	CS #10-24X0.750FLKG5
13	704932	2	FW 0.219X.50X.05 ZY
14	603847	1	CABLE, THROTTLE 50"
15	055947	4	CS .250-20X0.50 HX G5 ZY
16	768515	4	FW 0.281SAE
17	000430	1	WIRE TIE, SMALL/LONG
18	606466	1	DECAL, INSTR PANEL
19	034280	1	CS .312-18X0.750HXG5
20	768523	2	FW 0.343SAE
21	043570	1	CLIP - HOSE - SINGLE(FS)
22	034272	1	NT .312-18HXG5
23	604241	1	WIRE HARNESS, ATZ/SZ
24	000331	3	WIRE TIE, SMALL/SHORT
25	114052	1	KIT, CLUTCH CONN. REP.
26	604430	1	WIRE HARNESS
27	601047	1	HOLDER, FUSE

Comments for Page: Instrument Panel & Wire Harness

1. Part of the wire harness.2. The instrument panel includes the decal.

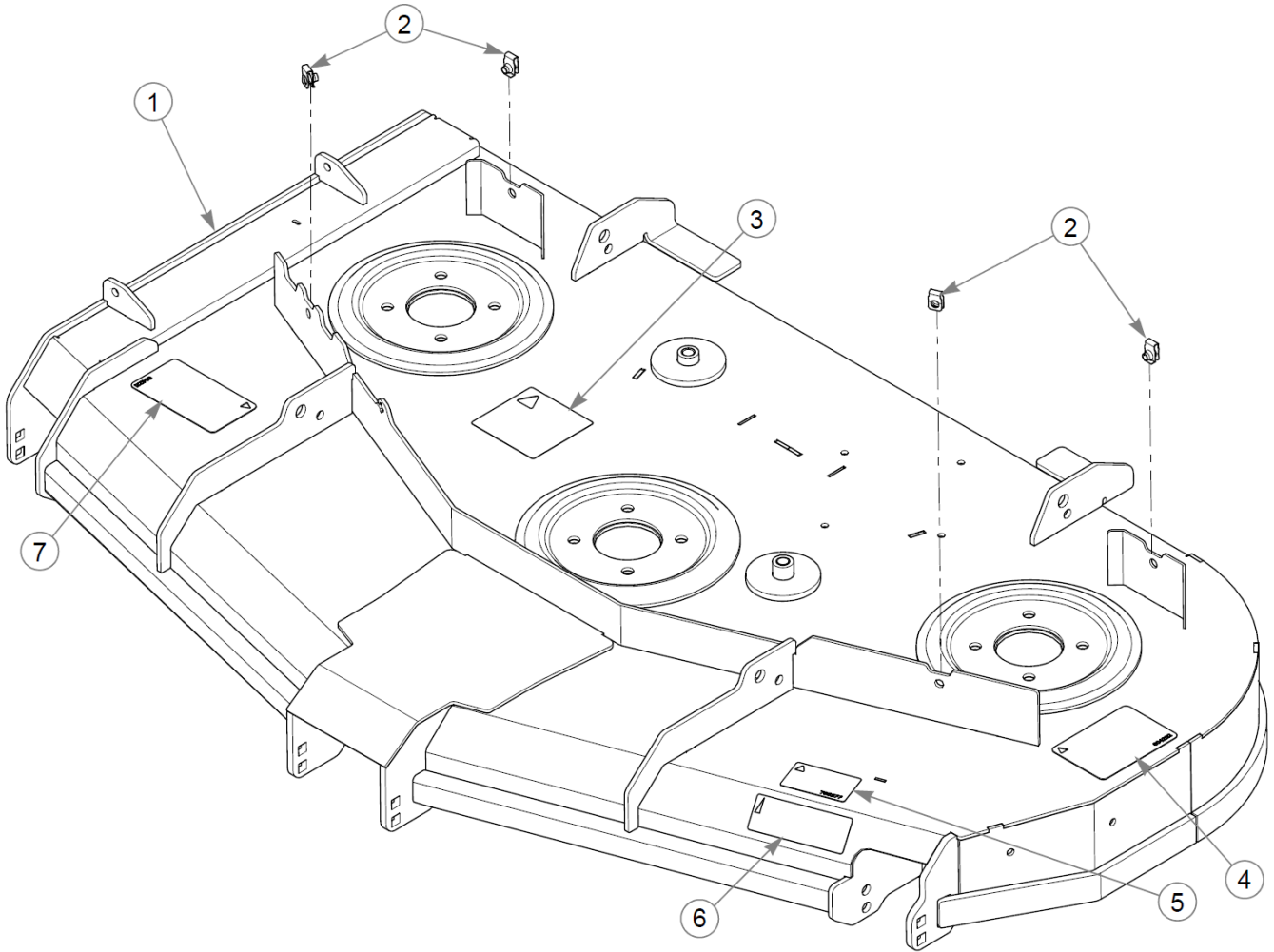


Battery

Elemento	Parte n.	Q.ta	Nome
1	000331	3	WIRE TIE, SMALL/SHORT
2	124387-1	1	BATTERY STRAP, SZ GRP 45
3	050823	2	CS .312-18X5.000HXG5
4	768523	2	FW 0.343SAE
5	601069	2	CN .312-18x.200 MAX THK

Comments for Page: Battery

1. When performing service on the mower, disconnect the negative battery cable and do not reconnect it to the battery until ready to start the engine.

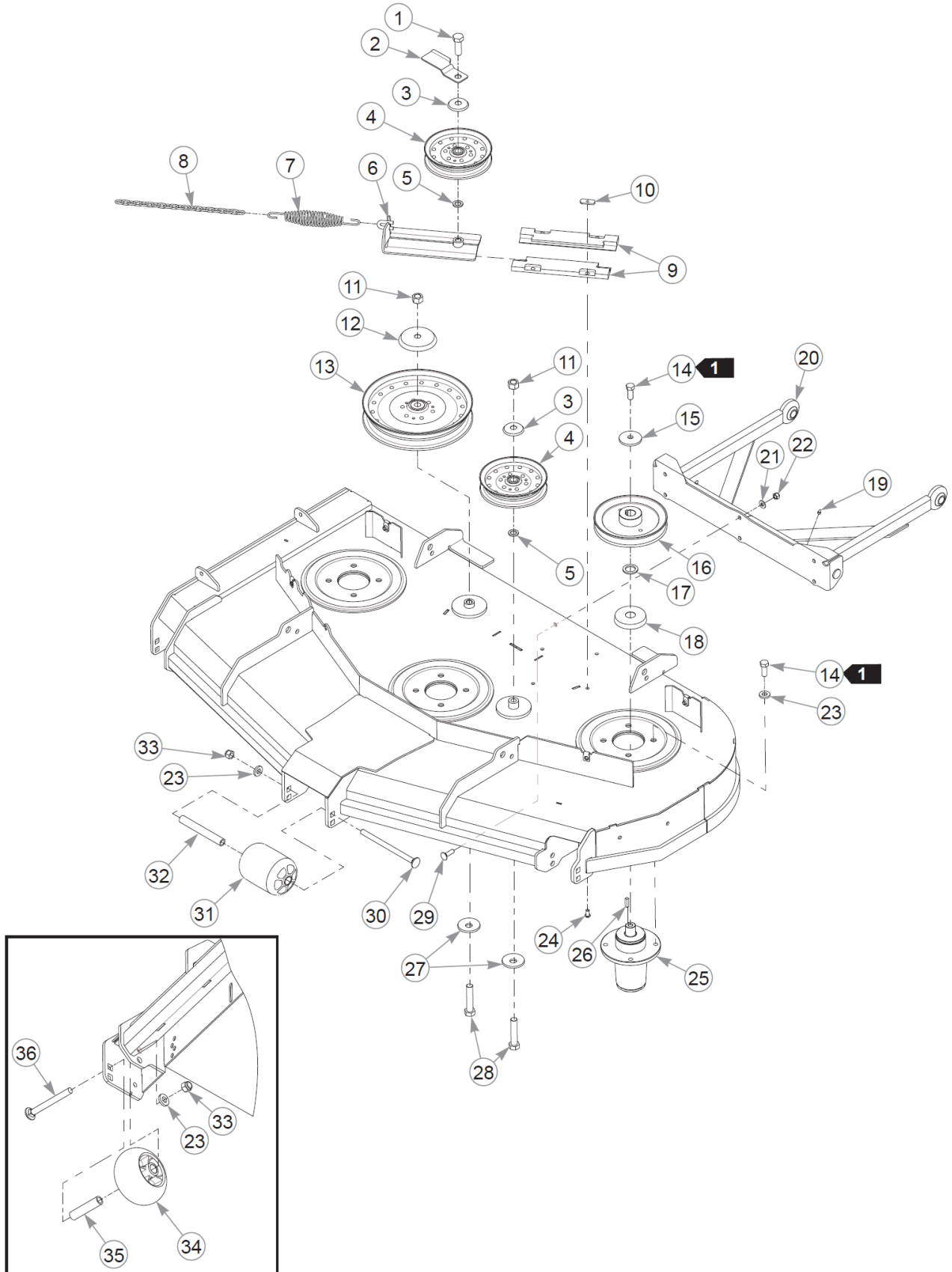


Service Deck

Elemento	Parte n.	Q.ta	Nome
1	554032	1	SVC, DECK DECAL ASSY
2	601069	4	CN .312-18x.200 MAX THK
3	781419	1	DECAL, BELT ROUTING
4	604222	1	DECAL, DANGER / OBJECTS
5	786277	1	DECAL, 60 DECK ID
6	603092	1	DECAL, VX4 TECHNOLOGY
7	604221	1	DECAL, DANGER / CHUTE

Comments for Page: Service Deck

1. The deck includes decals and hardware.



Deck Pulleys & Spindles

60" Super Z Parts Manual - 936880CE - HTHSZS060KAWFX850VC

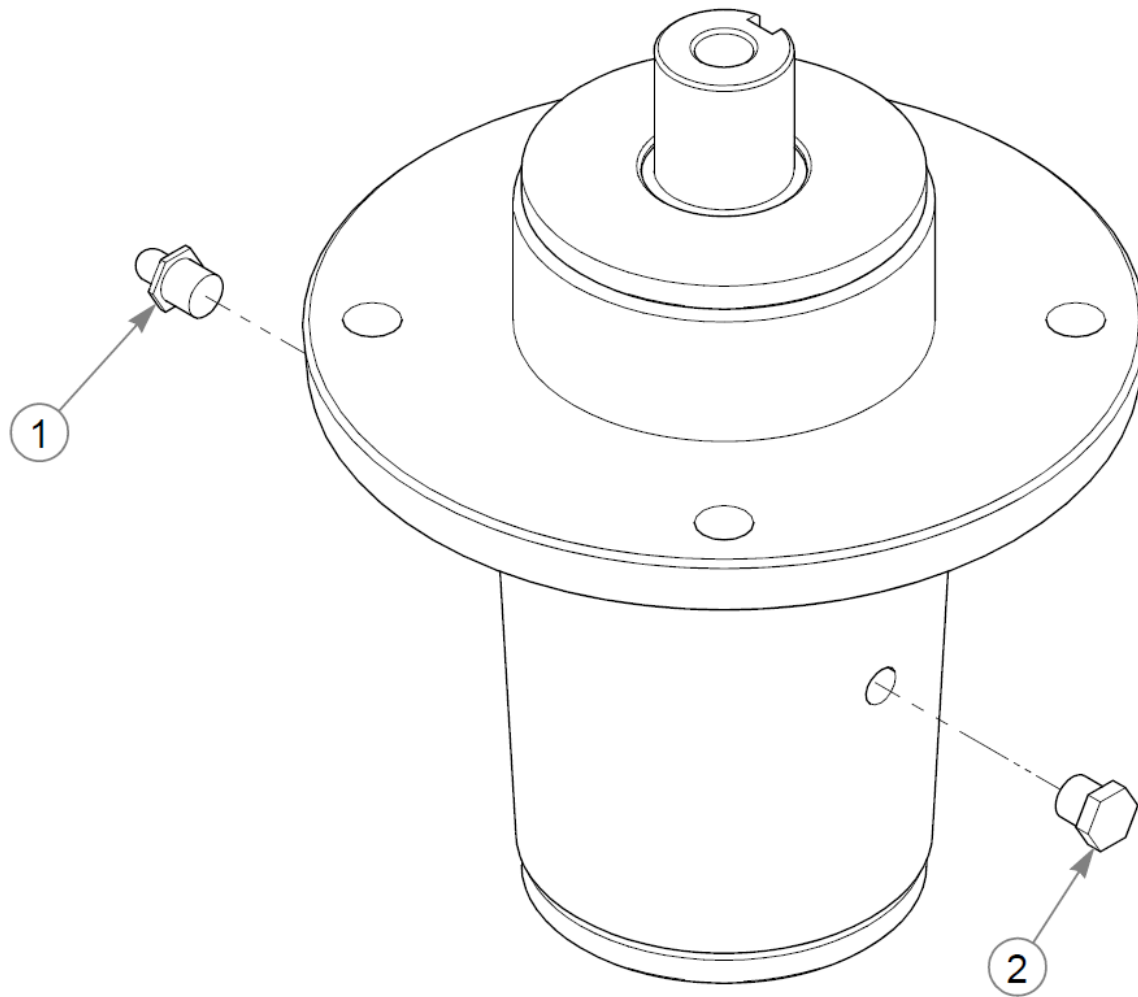
Elemento	Parte n.	Q.ta	Nome
1	025007	1	CS .62511X1.750HXG5
2	606460	1	GUIDE, BELT
3	602935	2	DUST SHIELD, IDLER SM
4	602821	2	IDLER, 6.0" RIVETED
5	028118	2	FW 0.625X1.00X.13 ZY
6	350884	1	SLIDE, DECK IDLER
7	781302	1	IDLER SPRING
8	373191	1	CHAIN, 21 LINK
9	602936	2	IDLER SLIDE, UHMW
10	603023	4	WN .312-18 ZN
11	016972	2	NT .625-11 HX G5 ZNYC
12	602963	1	DUST SHIELD, IDLER LG
13	602743	1	IDLER, 10.0" RIVETED
14	705954	15	CS .500-13X1.25 HX G5 ZY
15	752386	3	CW .515X 2.25X .204 BLK
16	602745	3	PULLEY, DRIVE 7.00 EFF
17	045765	3	FW 1.030X1.50X.13 HD ZY
18	607409-4	3	DUST SHIELD
19	015495	2	GREASE FITTING STRAIGHT
20	113340	1	PUSHER W/A, HZ/SZ
21	767954	6	FW 0.379X.82X.06 HD ZY
22	086660	6	NT .375-16NLG8
23	767962	15	FW .531 x 1.063 x .175
24	603022	4	CS .312-18X.625 BH ZN
25	607407	3	SPINDLE ASSY, DUCTILE
26	212472	3	KEY 1/4 SQ X 1.00 LG(FS)
27	782474	2	CW .678 X 2.250 X .187
28	783738	2	CS .625-11X3.000HXG5
29	025395	6	CB .375-16X 1.00 G5 ZNY
30	602338	1	CB .50-13 X 7.50 STD ZN
31	602341	1	WHEEL, ANTI-SCALP
32	602344	1	SPACER, ANTI- SCALP 5.73
33	781567	3	NT .500-13NLG5
34	602263	2	WHEEL, ANTI-SCALP
35	602345	2	SPACER, ANTI-SCALP 3.22
36	607288	2	CB .50-13X4.75 STD ZN

Deck Pulleys & Spindles

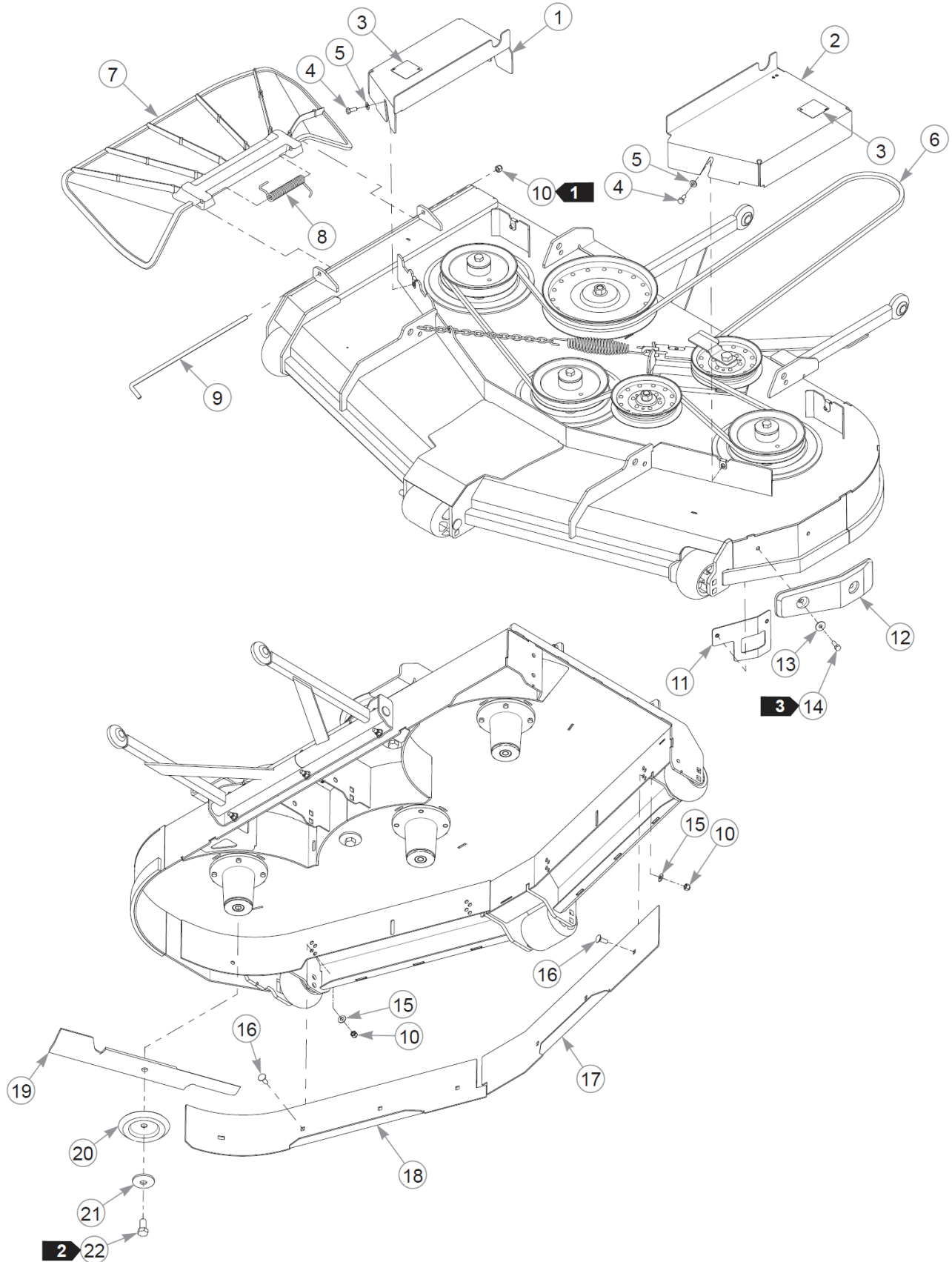
Comments for Page: Deck Pulleys & Spindles

1. Torque to 91–102 N•m.

Pagina lasciata volutamente in bianco



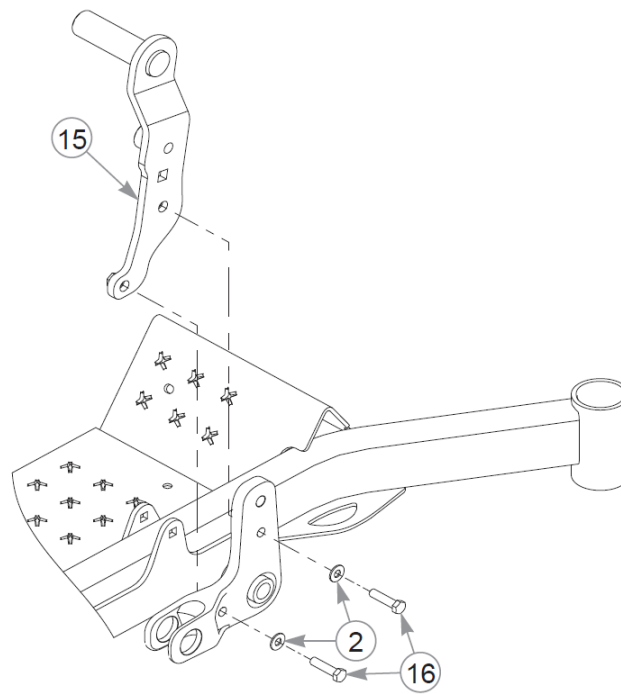
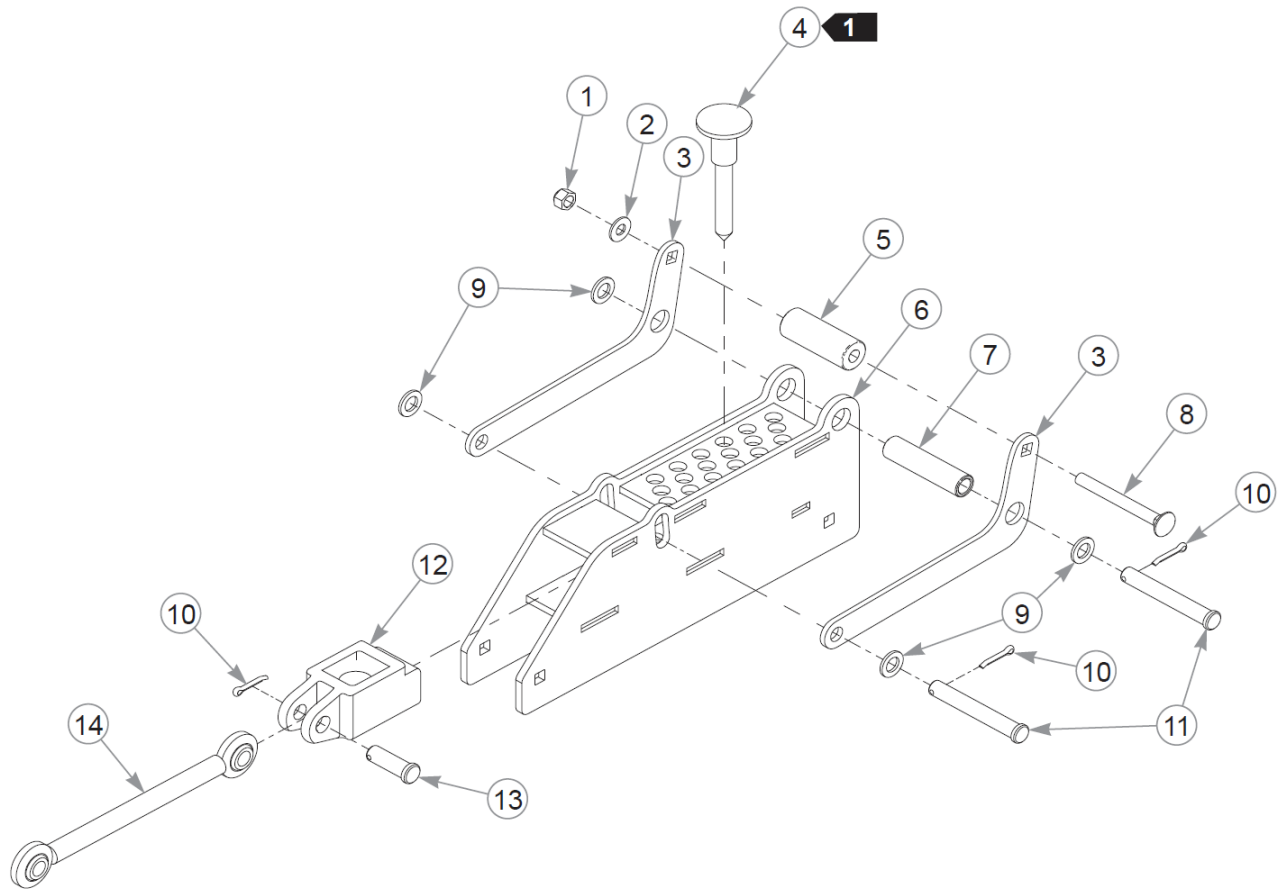
Elemento	Parte n.	Q.ta	Nome
1	607477	1	GREASE ZERK
2	607478	1	RELIEF FITTING



Elemento	Parte n.	Q.ta	Nome
1	554788	1	SVC, PULLEY COVER RH
2	554787	1	SVC, PULLEY COVER LH
3	602562	2	DECAL, NO SERVICE
4	034280	4	CS .312-18X0.750HXG5
5	768523	4	FW 0.343SAE
6	606874	1	BELT, B-SEC 173.34"
7	602891	1	CHUTE, DISCHARGE LG
8	602435	1	SPRING, TORSION
9	602432	1	PIN, CHUTE
10	086660	8	NT .375-16NLG8
11	113563	1	BACKING PLATE W/A
12	602817	1	RUBBER BUMPER
13	079210	2	FW 0.344X1.0X0.06 ZY
14	064014	2	CS .312-18X0.875HXG5
15	767954	7	FW 0.379X.82X.06 HD ZY
16	025395	7	CB .375-16X 1.00 G5 ZNY
17	113636	1	WALL, INNER RH 60" CE
18	113637	1	WALL, INNER LH 60" CE
19	602771	3	BLADE, F20.50" EHN-F-CW
Not Shown	600901	3	BLADE, F20.50"-L-F-CW
Not Shown	794685	3	BLADE, F20.50"-H-F-CW
Not Shown	793794	3	BLADE,20.50"-L-F-CW
Not Shown	794214	3	BLADE,20.50"-MUL-F-CW
Not Shown	794230	3	BLADE,20.50"GAT-F-CW
20	114988	3	SHIELD, BLADE BOLT
21	782474	3	CW .678 X 2.250 X .187
22	781872	3	CS .625-11X1.250HXG5

Comments for Page: Deck Belt, Discharge Chute, Pulleys Covers & Blades

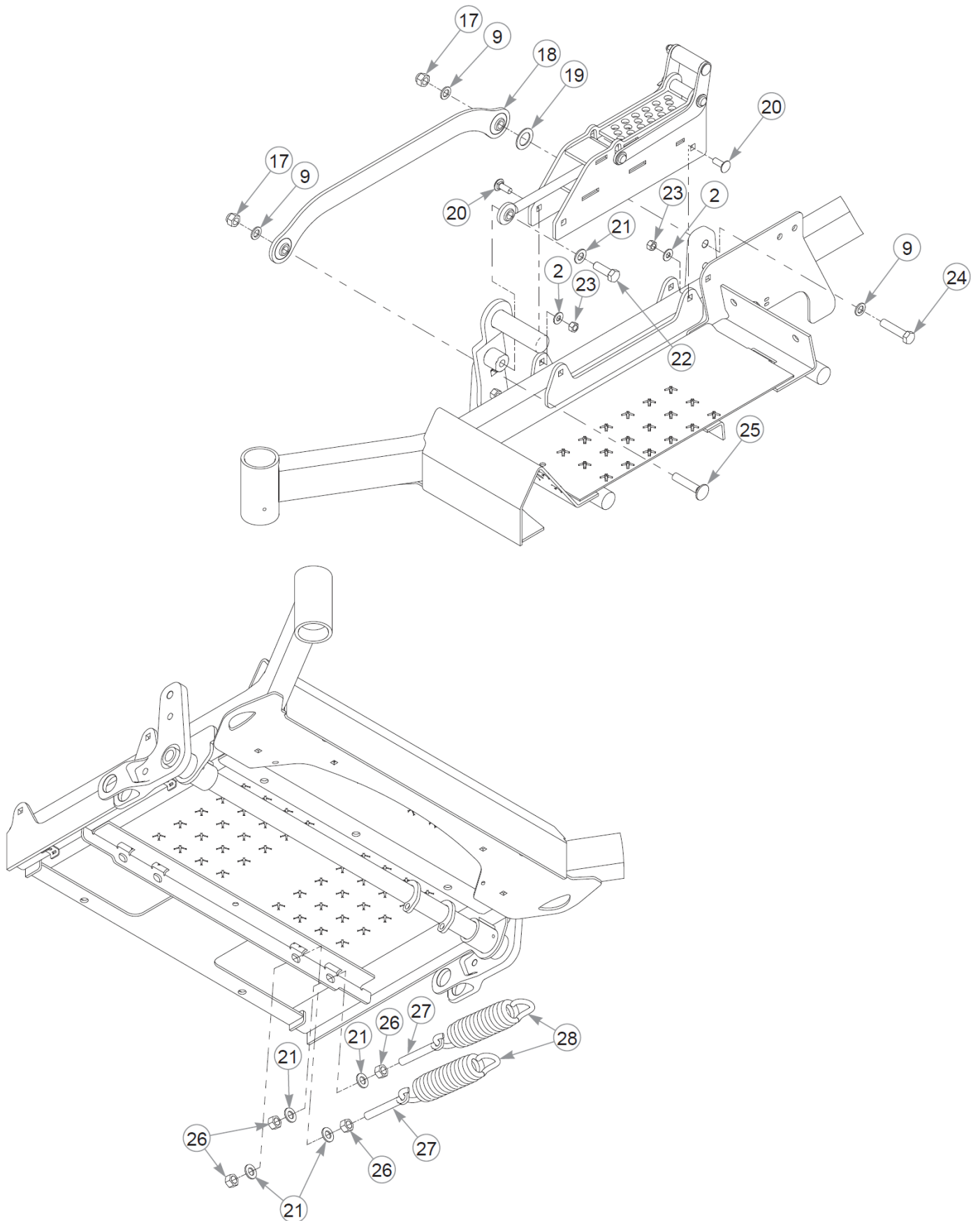
1. Do not torque; the discharge chute must pivot freely.
2. Torque to 160 N•m.
3. Torque to 14 N•m.



Deck Lift & Deck Height (Multi-Page)

60" Super Z Parts Manual - 936880CE - HTHSZS060KAWFX850VC

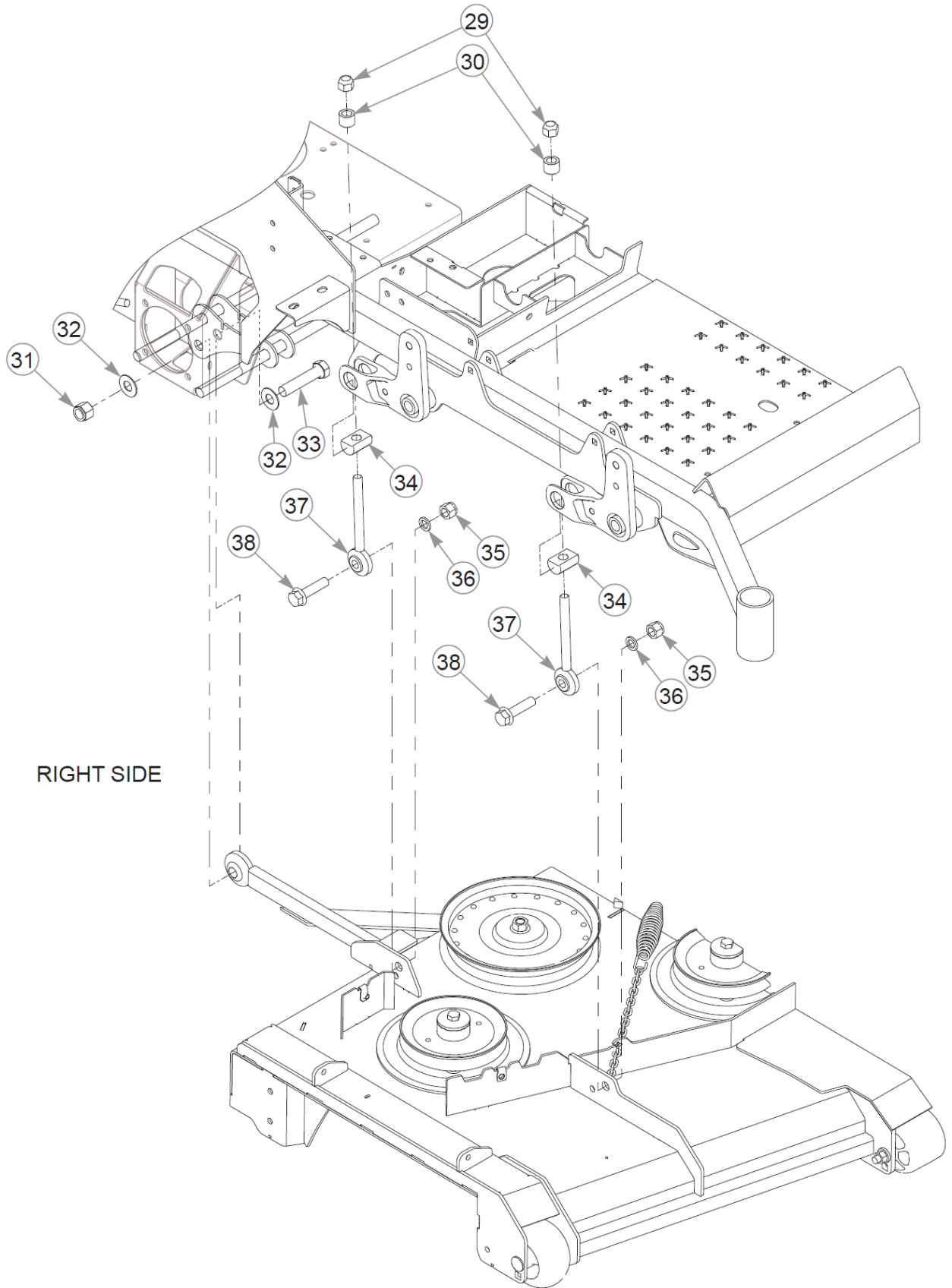
Elemento	Parte n.	Q.ta	Nome
1	086660	1	NT .375-16NLG8
2	767954	7	FW 0.379X.82X.06 HD ZY
3	124361-4	2	LATCH HANDLE
4	606918	1	MAGNETIC PIN, 1/2 x 3.13
5	117489	1	SPACER, LATCH
6	124357-1	1	DECK HEIGHT W/A
7	604075	1	SPACER, CYLINDER
8	041848	1	CB .375-16X 3.500 FUL Z
9	718288	7	FW .516X.88X.09 ZY
10	017251	3	CP .156DX1.000 LG HML Z
11	025965	2	CE .500X3.50 .156X3.34
12	606895	1	SLIDER, DECK LIFT
13	068056	1	CE .500X1.50 .150X1.32
14	122994	1	DECK HEIGHT LINK, W/A
15	124147-1	1	PEDAL WA, DECK LIFT
16	080655	2	CS .375-16X1.500HXG5
17	781567	2	NT .500-13NLG5
18	124145-4	1	W/A, DECK LINK
19	122996	1	LINK SPACER
20	025395	4	CB .375-16X 1.00 G5 ZNY
21	004168	5	FW .531x1.00x.090 ZY
22	074252	1	CS .500-13X1.50 HX G5 ZY
23	054502	4	NT .375-16HXG5
24	761544	1	CS .500-13X2.000 FUL HX
25	604254	1	CB .50-13 X 2.50 STD ZN
26	008193	4	NT .500-13HXG5
27	606478	2	EB, .500-13X3.00 FULTHD
28	606454	2	SPRING, EXT 7.0 300LB/IN
29	604232	4	NT .625-18NLKG5
30	603903	4	DECK LEVEL SPACER
31	061101	2	NT .750-10 HX ZY NL GR B
32	025296	4	FW .760X1.63X0.08 ZY
33	789115	2	CS .750-10X3.500HXG5
34	603902	4	DECK LEVEL PIVOT
35	058768	4	NT .625-11 HXZY NY
36	028118	4	FW 0.625X1.00X.13 ZY



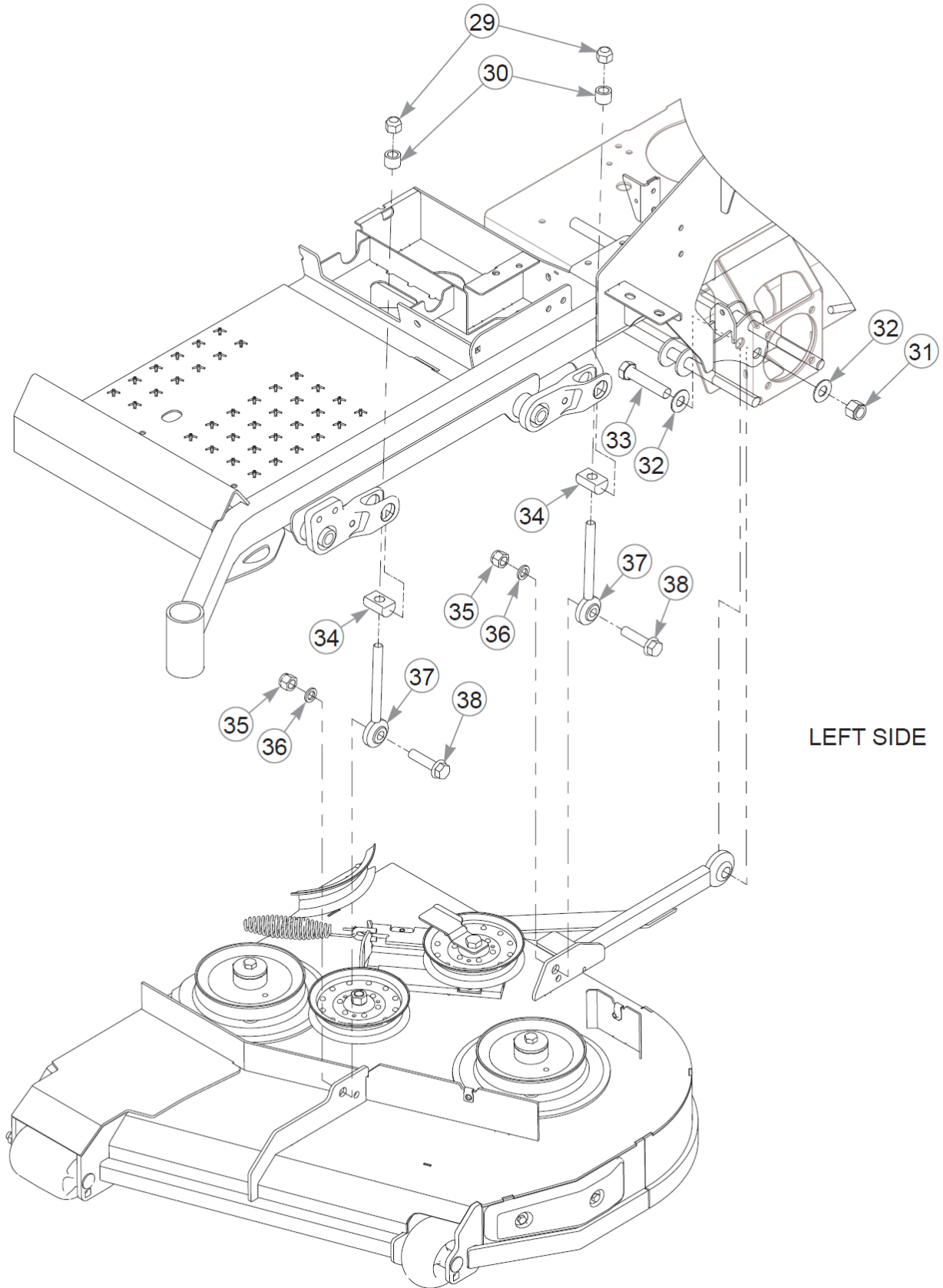
Deck Lift & Deck Height (Multi-Page)

60" Super Z Parts Manual - 936880CE - HTHSZS060KAWFX850VC

Elemento	Parte n.	Q.ta	Nome
37	116732	4	W/A, DECK LEVEL ROD END
38	604043	4	CS .625-11x2.500FLGG5



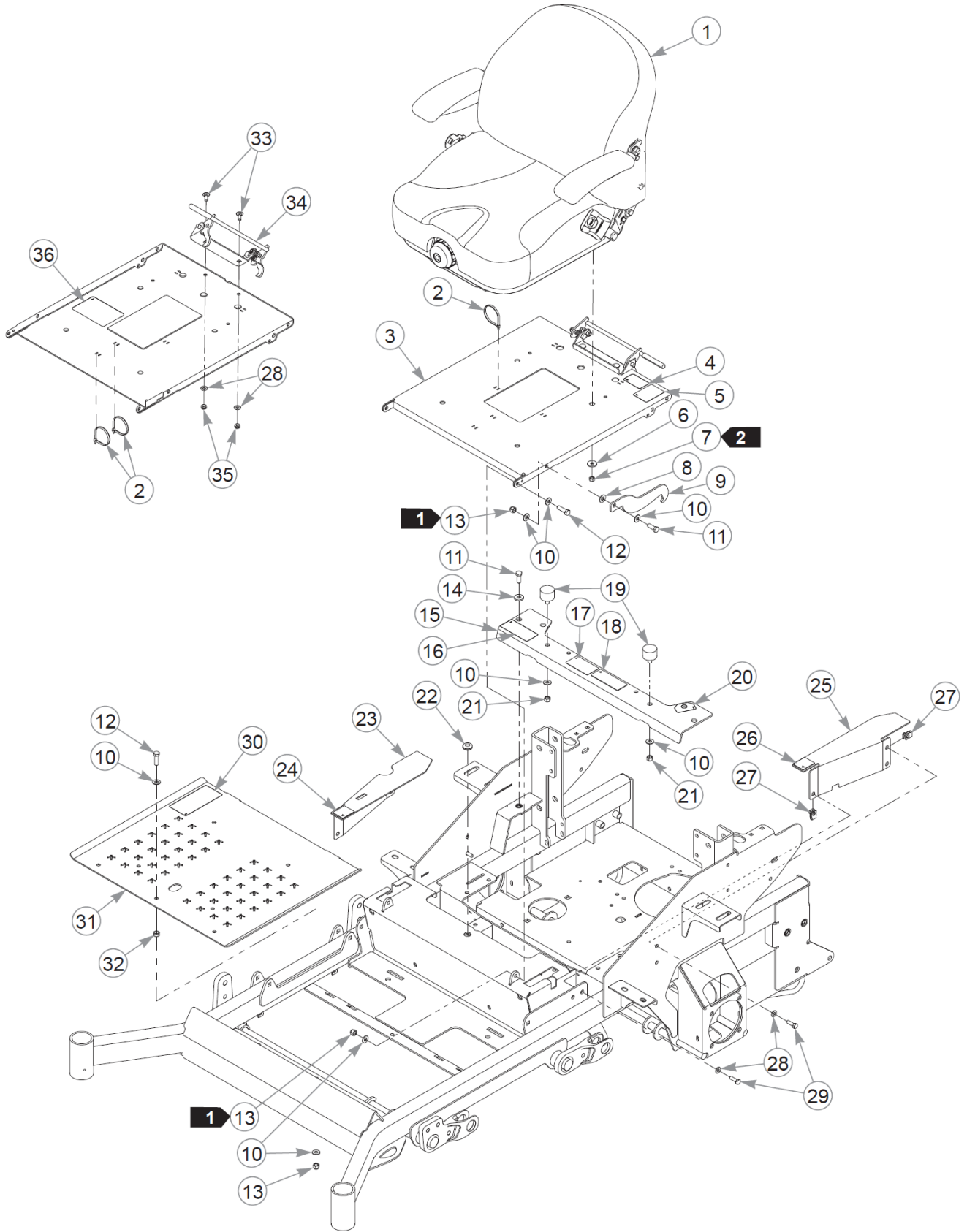
Pagina lasciata volutamente in bianco



Deck Lift & Deck Height (Multi-Page)

Comments for Page: Deck Lift & Deck Height (Multi-Page)

1. The Top Pin Deck Height Kit includes items 3, 4, 6, & 12.



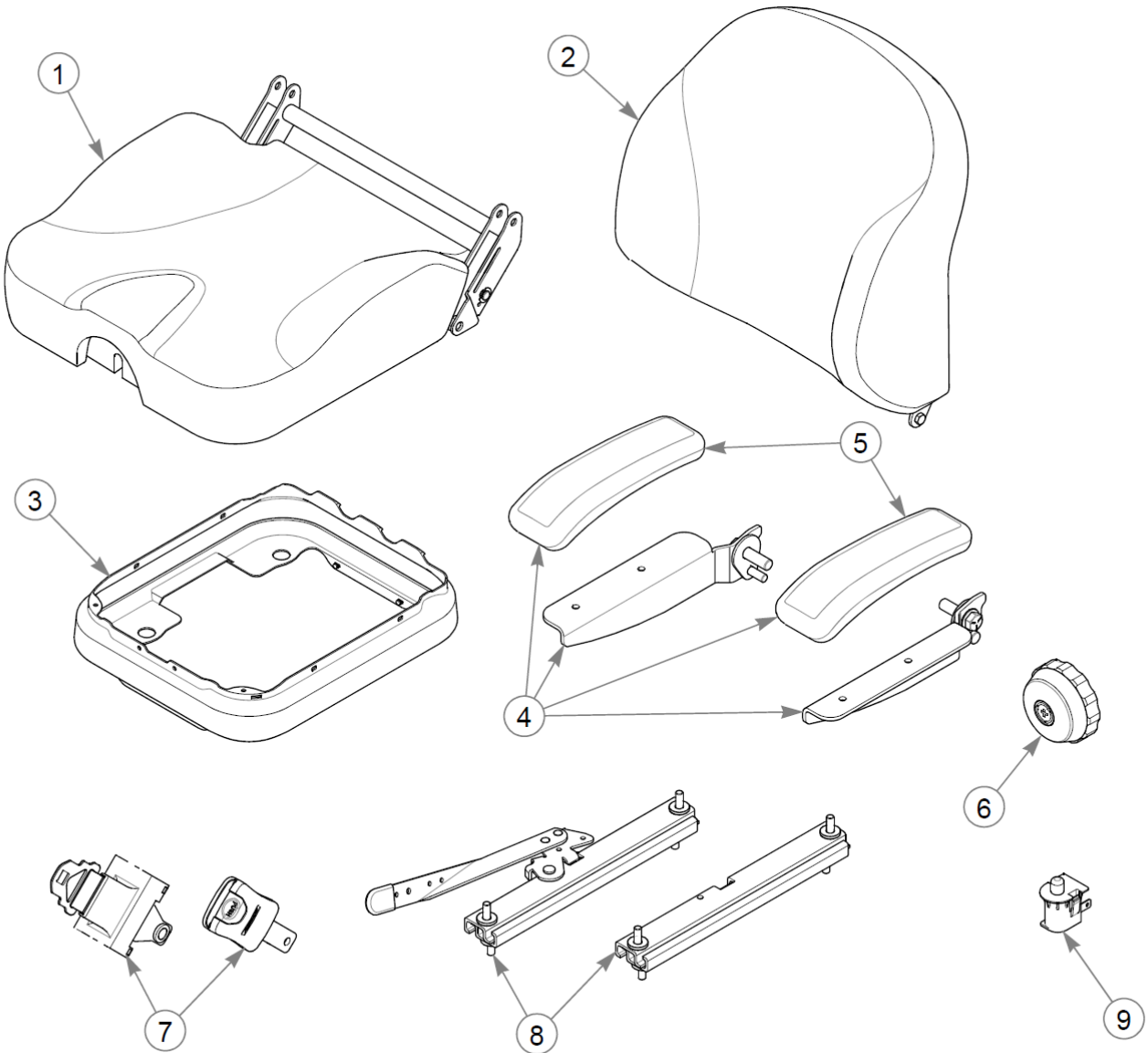
Elemento	Parte n.	Q.ta	Nome
1	607150	1	SEAT, I3M SEATS INC
2	000331	3	WIRE TIE, SMALL/SHORT
3	550815	1	SEAT PAN, SERVICE
4	605688	1	DECAL, LEVEL FUEL FILL
5	785188	1	DECAL, Z ARMREST WARNING
6	712927	4	FW 0.344X1.00X.12 HD ZY
7	058776	4	NT .312-18NLG5
8	724716	2	WASHER, FIBER (FS)
9	350421	2	SEAT PAN STOP (PLATED)
10	767954	12	FW 0.379X.82X.06 HD ZY
11	036244	4	CS .375-16X1.00 HX G5 ZY
12	052860	3	CS .375-16X1.25 HX G5 ZY
13	086660	5	NT .375-16NLG8
14	712919	2	FW 0.406X1.00X.12 HD ZY
15	554291	1	SVC, SEAT SUPPORT
16	601967	1	DECAL, ENGINE COMPART
17	601968	1	DECAL, HYDRAULIC PRESS
18	779280	1	DECAL, HOT & HYD OIL
19	601650	2	VIBRATION MOUNT 70DURO
20	791848	1	DECAL FUEL INDICATOR- M
21	054502	2	NT .375-16HXG5
22	080358	1	GM .50X1.00X.75X.12
23	550824	1	FRAME COVER RS, SERVICE
24	785220	1	DECAL, STEERING R.S.
25	554963	1	SVC, FRAME COVER LH - CE
26	785139	1	DECAL, STEERING L.S.
27	601069	5	CN .312-18x.200 MAX THK
28	768523	7	FW 0.343SAE
29	036236	5	CS .312-18X1.250HXG5
30	607023	1	DECAL, DECK HEIGHT CE
31	554565	1	SVC, FLOOR PAN
32	118900	1	SPACER, DECK LIFT LINK
33	016253	2	CB .312-18X .750 FUL ZN
34	605907	1	LATCH ASSEMBLY
35	034272	2	NT .312-18HXG5
36	601815	1	DECAL, BATTERY WARNINGS

Seat

Comments for Page: Seat

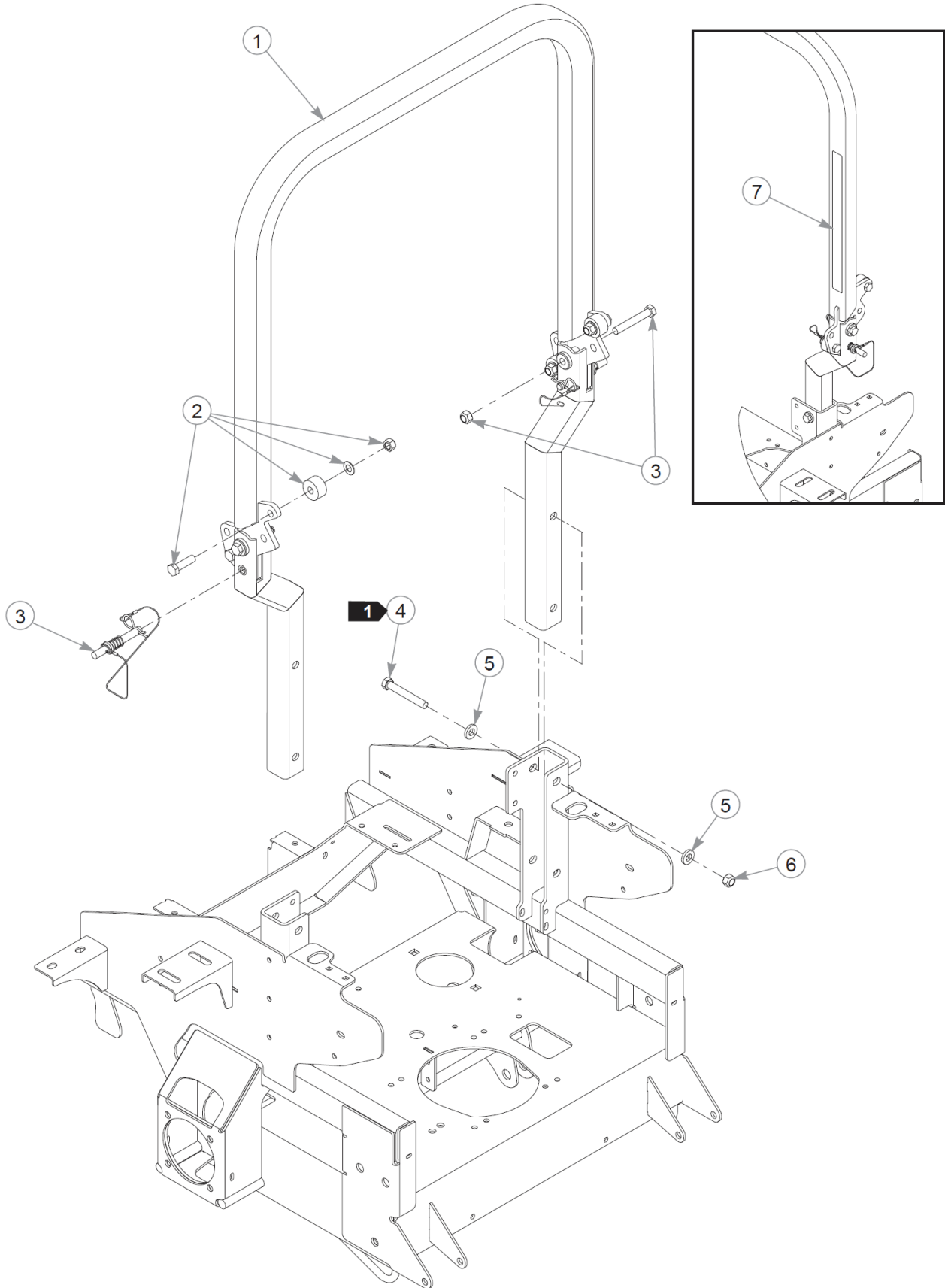
1. Do not torque; the seat pan and seat pan stop must pivot freely.
2. Torque to 23 N•m.

Pagina lasciata volutamente in bianco



Seat Service Parts - 607150

Elemento	Parte n.	Q.ta	Nome
Not Shown	607150	1	SEAT, I3M SEATS INC
1	607165	1	SVC, COVER, SEAT CUSHION
2	607164	1	SVC, COVER, SEAT BACK
3	607205	1	SVC, BELLOWS
4	607166	1	SVC, ARM REST KIT
5	606081	2	SVC, ARM PADS
6	607206	1	SVC, KNOB KIT
7	607207	1	SVC, SEAT BELT
8	607204	1	SVC, TRACK KIT
9	606082	1	SVC, OPS



Elemento	Parte n.	Q.ta	Nome
1	605639	1	ROPS, COMPLETE
2	605731	2	KIT, POLY STOP (SET)
3	605638	1	ROPS HARDWARE KIT
4	061812	4	CS .500-13X3.50 HX G5 ZY
5	767962	8	FW .531 x 1.063 x .175
6	023317	4	NT .500-13UNTG8
7	601635	1	DECAL, ROP'S

Comments for Page: ROPS

1. Torque to 99 N•m.